

Part Number: UUX000443 (formerly DS084 and DS086)

Applicability: V7, V7N

Introduction: This remote digital operator kit allows a NEMA 1 digital operator to be mounted up to 3 meters from the V7 drive. The operator can either be surface or flush mounted to the mounting panel. The kit includes:

- a. 1 remote operator carrier (72606-EZZ08386A)
- b. 2 gaskets
- c. 1 remote operator membrane (not used)
- d. 4 screws & nuts
- e. 8 rubber washers
- f. 1 blank cover (72606-CVST31060)
- g. 2 cables: 1 meter (UWR0051) and 3 meter (UWR0052). Both are standard CAT-5 Ethernet cables.

Receiving: All equipment is tested against defect at the factory. Report any damages or shortages evident when the equipment is received to the commercial carrier who transported the equipment.

Warning: Hazardous voltage can cause severe injury or death. Lock all power sources feeding the drive in the “OFF” position.

Installation:

1. Disconnect all electrical power to the drive.
2. Use a voltmeter to verify that power has been disconnected at the incoming power terminals.
3. Wait for the DC bus to completely discharge.
4. Remove contents from package. Verify that the above-mentioned parts are present.
5. Loosen the screw on the front cover of the drive and remove the associated cover plate. Next, remove the digital operator (it will be used in step 7). Install the blank cover in place of the operator.
6. Re-attach the front cover plate and tighten the screw down.
7. Insert the digital operator removed in step 5 into the operator carrier at a slant. Insert the bottom first and then seat the top into the receptacle. See Figure 1. The remote operator membrane will not be used.

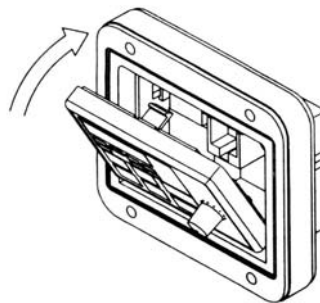


Figure 1: Mounting the digital operator into the carrier.

8. Attach the remote operator assembly to the mounting panel using either a surface mount or flush mount configuration.
9. For a surface mount, follow steps 10-11.

10. Cut a hole in the remote operator-mounting panel as shown in Figure 2 for surface mounting.

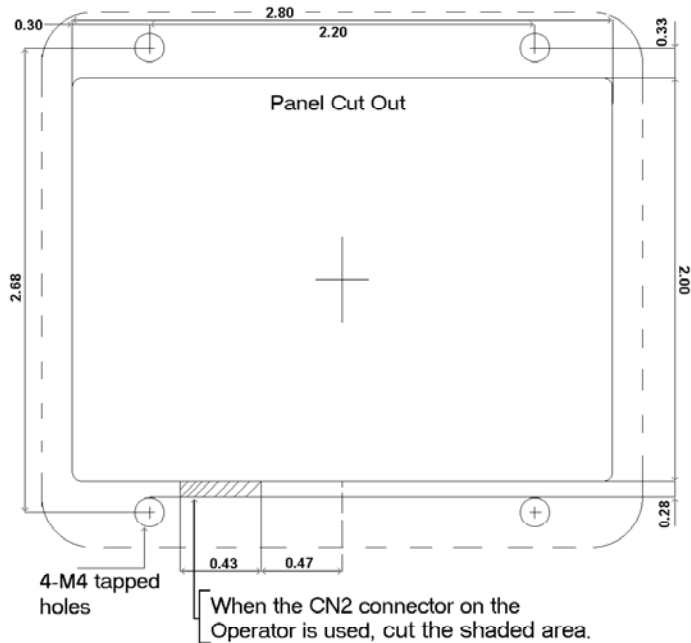


Figure 2: Surface Mount Cutout (dimensions in Inches, not actual size)

11. Finish the surface mount by installing the remote operator on the front side of the panel. Insert a rubber washer on each screw and then insert the screws through the front side of the panel. Four washers and four nuts are not needed in this application. Tighten screws gradually by hand to prevent damaging the rubber washers. See Figure 3.

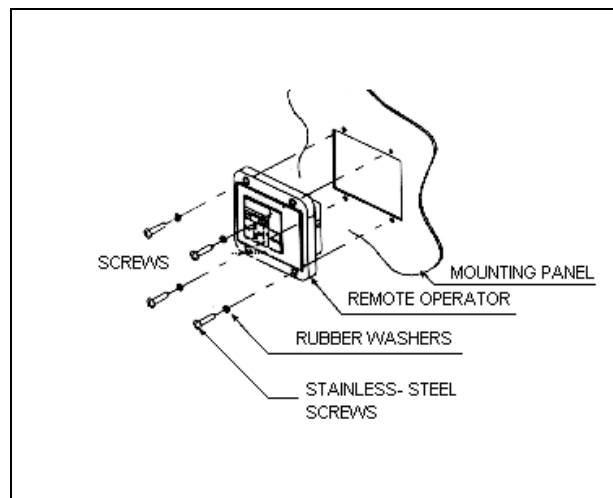


Figure 3: Surface Mount Installation

12. For a flush mount, follow steps 13-14.

13. Cut a hole in the remote operator-mounting panel as shown in Figure 4 for flush mounting.

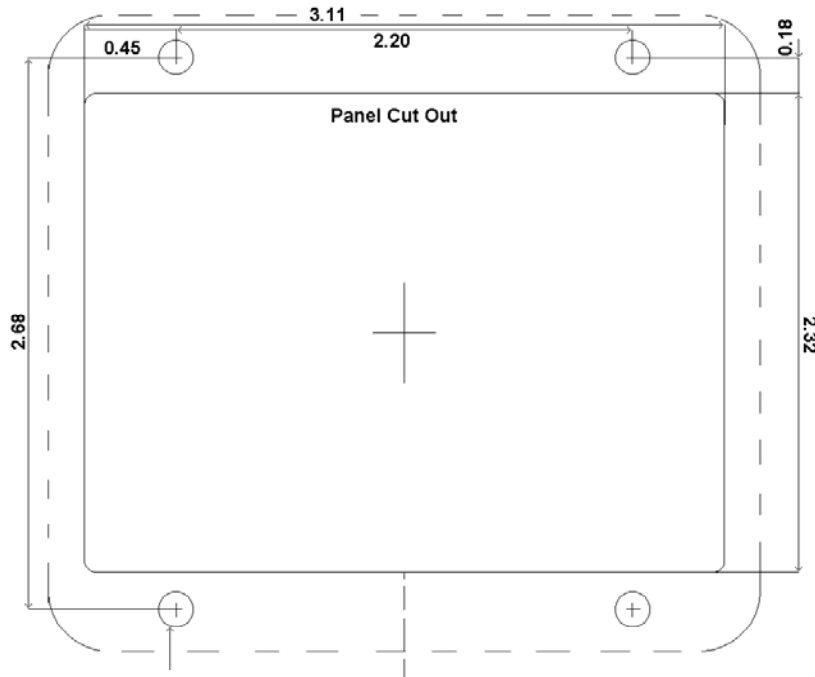


Figure 4: Flush Mount Cutout (dimensions in Inches, not actual size)

14. For a flush mount, apply the gasket to the front side of the digital operator, and install the remote operator from the rear side of panel. Insert the screws through the front side of the panel and then mount the washers and nuts to the rear side of the panel. Four washers are not needed in this application. Tighten screws gradually from the front side of the panel to prevent damaging the rubber gaskets. See Figure 5.

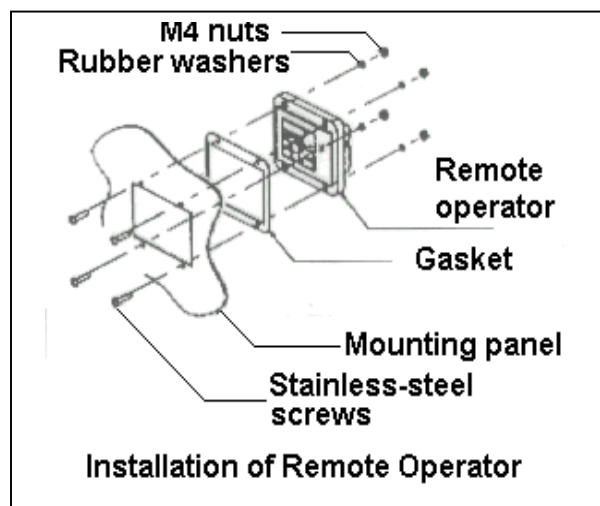


Figure 5: Flush Mount Installation

15. For either mounting configuration, connect the remote operator to the drive using one of the supplied cables. Use the cable length that best fits the installation. Plug one end of the cable through the blank cover to the RJ-45 jack on the front of the drive and the other end of the cable to the RJ-45 jack on the back of the remote operator.

This completes the installation process.