

Title: Enclosed AC Reactor Technical Specifications

Product(s): All AC Drives

Doc. No. PN.REACTORS.01

The following is a list of Type 1 enclosed reactors that can be used with Yaskawa Drives. The list includes the part number, ratings, and the dimensions of each reactor.

Contact Yaskawa with any questions on selecting, connecting, or installing these reactors.

Table of Contents

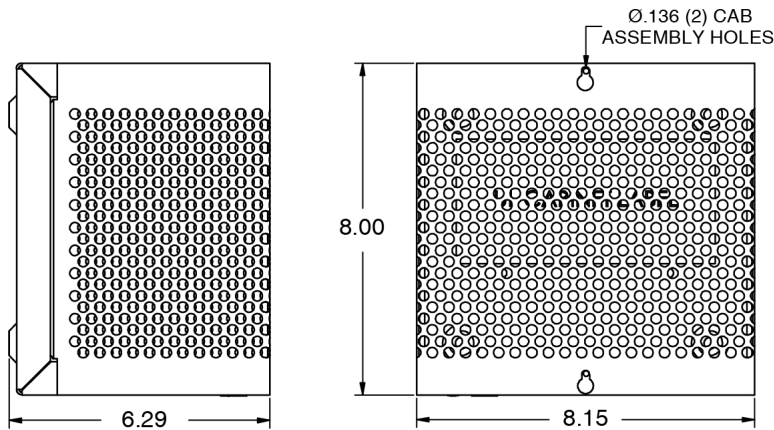
ENCLOSED REACTOR CABINET DRAWINGS.....2
ENCLOSED REACTOR RATINGS AND DIMENSIONS5

Title: Enclosed AC Reactors Technical Specifications

Product(s): All AC Drives

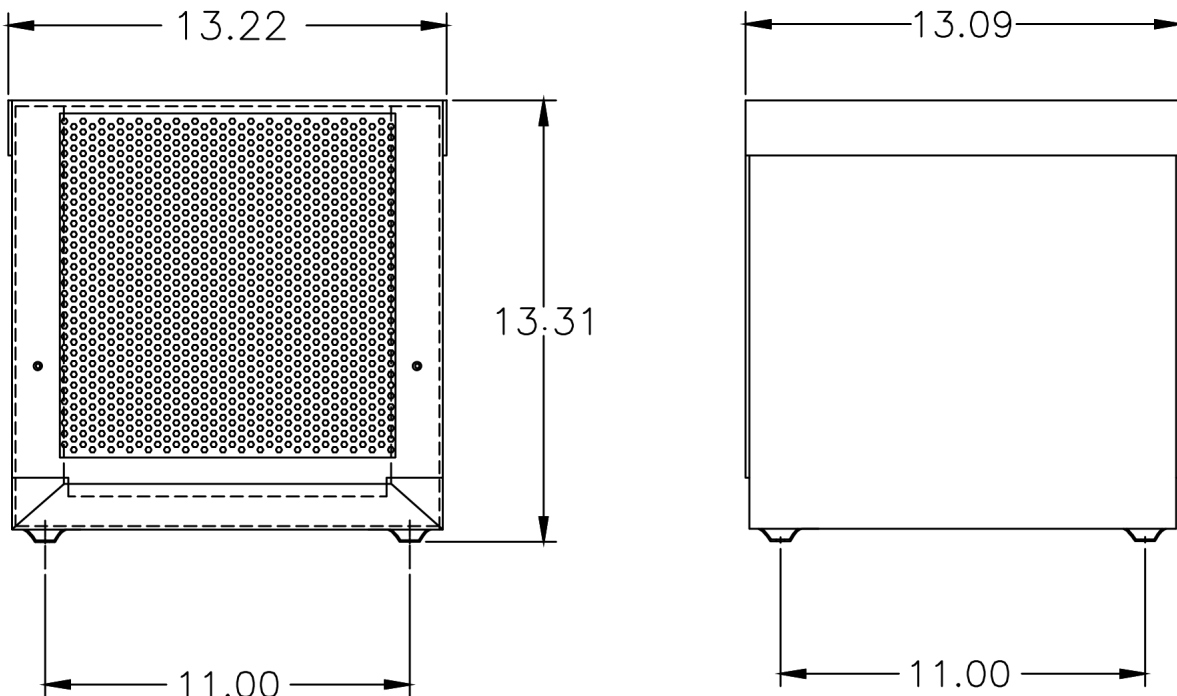
Doc. No. PN.REACTORS.01

Enclosed Reactor Drawings: CAB-8



UNITS: INCHES

Enclosed Reactor Drawings: CAB-13V



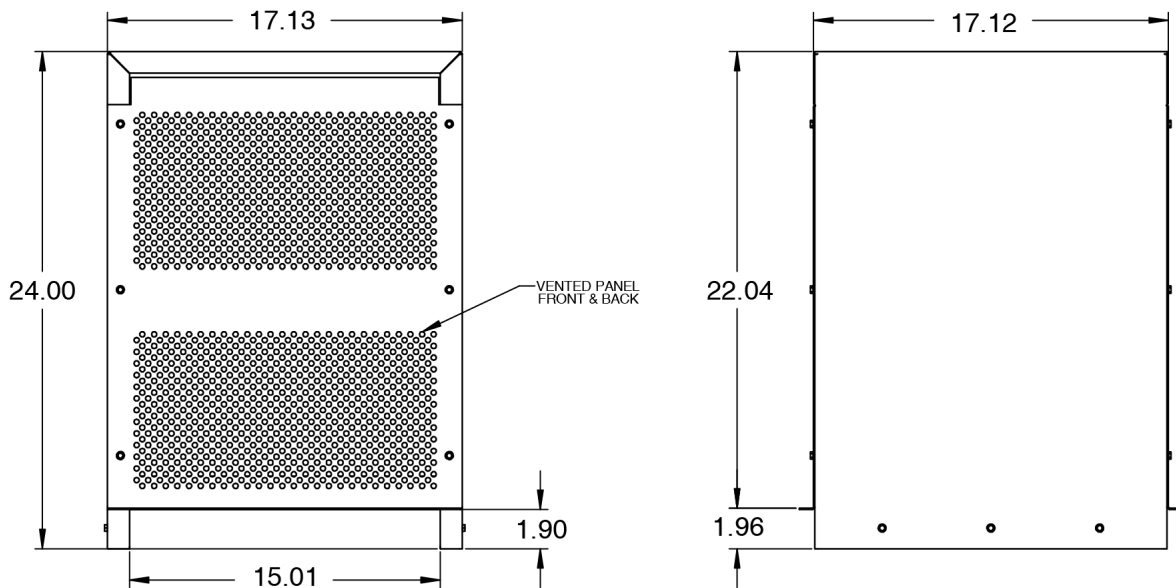
UNITS: INCHES

Title: Enclosed AC Reactors Technical Specifications

Product(s): All AC Drives

Doc. No. PN.REACTORS.01

Enclosed Reactor Drawings: CAB-17V



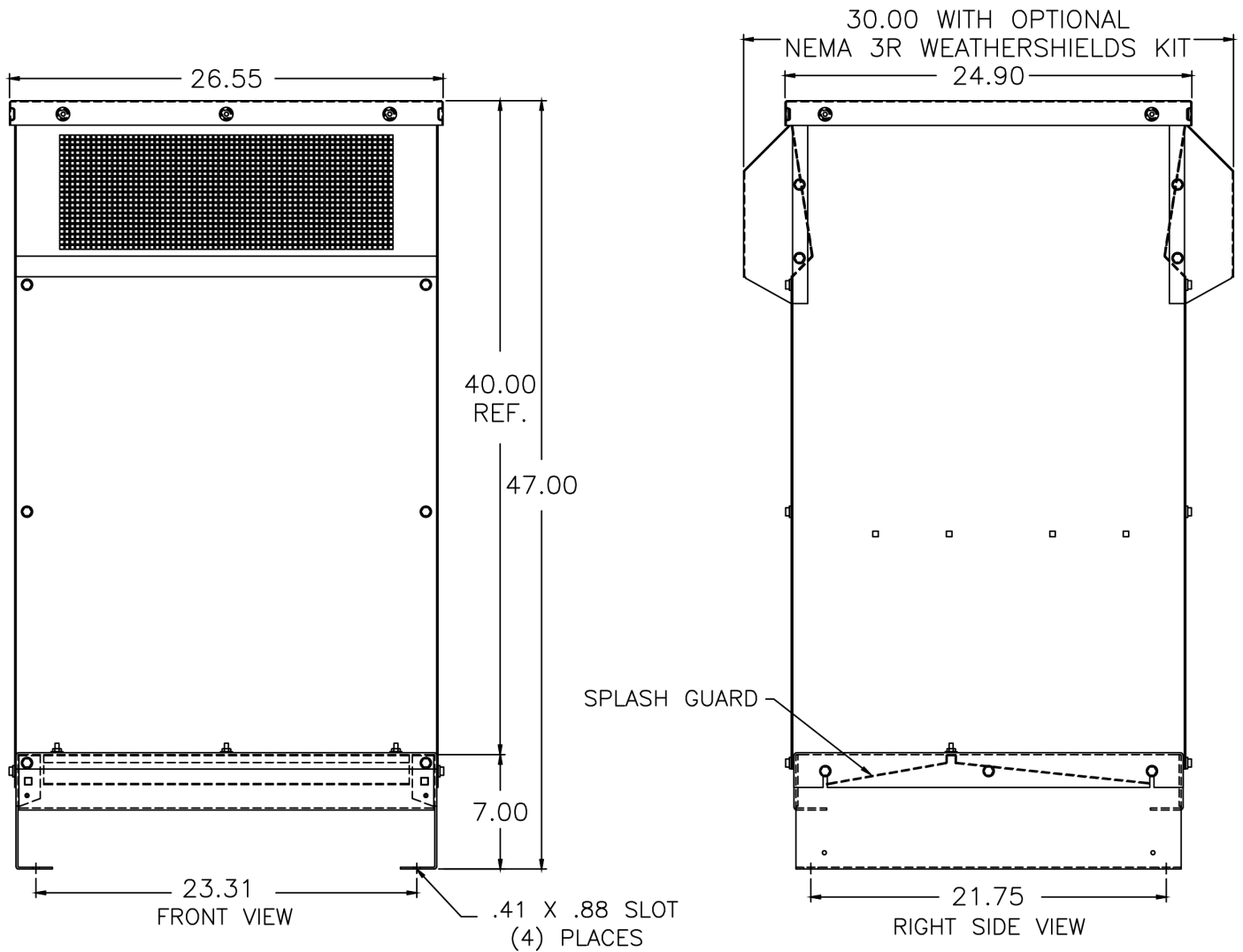
UNITS: INCHES

Title: Enclosed AC Reactors Technical Specifications

Product(s): All AC Drives

Doc. No. PN.REACTORS.01

Enclosed Reactor Drawing: CAB-26C/C2



UNITS: INCHES

Title: Enclosed AC Reactors Technical Specifications

Product(s): All AC Drives

Doc. No. PN.REACTORS.01

Enclosed AC Reactors

Enclosed Reactor Part Number	Reactor Rating (Amps)	Inductance (mH)	Heat Loss (Watts)	Enclosure Cabinet	Weight kg/lbs.
05P00620-0015	2	12mh	7.5	CAB-8	1.8/4
05P00620-0016	2	20mh	11.3	CAB-8	1.8/4
05P00620-0020	4	3mh	14.5	CAB-8	1.8/4
05P00620-0021	4	6.5mh	20	CAB-8	1.8/4
05P00620-0022	4	9mh	20	CAB-8	2.3/5
05P00620-0023	4	12mh	21	CAB-8	2.7/6
05P00620-0027	8	1.5mh	19.5	CAB-8	3.2/7
05P00620-0028	8	3mh	29	CAB-8	3.6/8
05P00620-0029	8	5mh	25.3	CAB-8	5/11
05P00620-0032	12	1.25mh	26	CAB-8	4.1/9
05P00620-0033	12	2.5mh	31	CAB-8	4.5/10
05P00620-0034	12	4.2mh	41	CAB-8	8.2/18
05P00620-0036	18	0.8mh	36	CAB-8	4.1/9
05P00620-0037	18	1.5mh	43	CAB-8	5.4/12
05P00620-0038	18	2.5mh	43	CAB-13V	7.3/16
05P00620-0041	25	0.5mh	48	CAB-13V	5/11
05P00620-0042	25	1.2mh	52	CAB-13V	6.4/14
05P00620-0043	25	1.8mh	61	CAB-13V	9.1/20
05P00620-0046	35	0.4mh	49	CAB-13V	6.4/14
05P00620-0047	35	0.8mh	54	CAB-13V	7.3/16
05P00620-0048	35	1.2mh	54	CAB-13V	11.8/26
05P00620-0050	45	0.3mh	54	CAB-13V	10/22
05P00620-0051	45	0.7mh	62	CAB-13V	11.8/26
05P00620-0052	45	1.2mh	65	CAB-13V	15.4/34
05P00620-0054	55	0.25mh	64	CAB-13V	10.9/24
05P00620-0055	55	0.5mh	67	CAB-13V	11.8/26
05P00620-0056	55	0.85mh	71	CAB-13V	15.4/34
05P00620-0058	80	0.2mh	82	CAB-13V	11.3/25
05P00620-0059	80	0.4mh	86	CAB-13V	15/33
05P00620-0062	100	0.3mh	84	CAB-13V	16.8/37
05P00620-0066	130	0.1mh	108	CAB-13V	13.2/29
05P00620-0067	130	0.2mh	180	CAB-13V	19.5/43
05P00620-0073	160	0.15mh	149	CAB-13V	24.5/54

Title: Enclosed AC Reactors Technical Specifications

Product(s): All AC Drives

Doc. No. PN.REACTORS.01

Enclosed AC Reactors (cont.)

Enclosed Reactor Part Number	Reactor Rating (Amps)	Inductance (mH)	Heat Loss (Watts)	Enclosure Cabinet	Weight kg/lbs.
05P00620-0077	200	0.055mh	124	CAB-13V	17.2/38
05P00620-0078	200	0.11mh	168	CAB-13V	24.5/54
05P00620-0083	250	0.09mh	231	CAB-17V	36.3/80
05P00620-0088	320	0.075mh	264	CAB-17V	46.3/102
05P00620-0092	400	0.06mh	571	CAB-17V	53.5/118
05P00620-0096	500	0.05mh	694	CAB-26C	72.6/160
05P00620-0100	600	0.04mh	689	CAB-26C	79.4/175
05P00620-0104	750	0.029mh	630	CAB-26C	86.2/190
URX000204	100	0.15mh	94	CAB-13V	13.2/29
URX000206	160	0.075mh	116	CAB-13V	18.6/41
URX000226	8	7.5mh	28	CAB-8	5.9/13
URX000227	2	32mh	16	CAB-8	1.8/4
URX000241	1	36mh	12	CAB-8	1.4/3
URX000242	1	18mh	8	CAB-8	1.4/3
URX000243	2	6mh	10.7	CAB-8	1.4/3
URX000249	320	0.04mh	224	CAB-17V	36.3/80
URX000250	400	0.03mh	213	CAB-17V	38.1/84
URX000251	500	0.025mh	226	CAB-17V	42.2/93
URX000252	600	0.02mh	609	CAB-26C	54.4/120
URX000253	750	0.015mh	713	CAB-26C	63.5/140
URX000409	3.4	3.2mH	12.3	CAB-8	0.9/2
URX000410	4.8	2.3mH	13.8	CAB-8	0.9/2
URX000411	7.6	1.5mH	19.2	CAB-8	0.9/2
URX000412	7.6	6mH	53.8	CAB-8	1.8/4
URX000413	11	1mH	26.8	CAB-8	1.4/3
URX000414	11	2.1mH	40.9	CAB-8	1.8/4
URX000415	14	0.79mH	32.7	CAB-8	1.4/3
URX000416	14	1.6mH	48.2	CAB-8	1.8/4
URX000417	14	2.6mH	60.6	CAB-8	3.2/7
URX000418	21	0.53mH	38.3	CAB-13V	1.8/4
URX000419	21	1.1mH	57.4	CAB-13V	3.2/7
URX000420	28	0.39mH	48.2	CAB-13V	2.3/5
URX000421	28	0.82mH	66.8	CAB-13V	4.5/10

Title: Enclosed AC Reactors Technical Specifications

Product(s): All AC Drives

Doc. No. PN.REACTORS.01

Enclosed AC Reactors (cont.)

Enclosed Reactor Part Number	Reactor Rating (Amps)	Inductance (mH)	Heat Loss (Watts)	Enclosure Cabinet	Weight kg/lbs.
URX000422	35	0.35mH	69	CAB-13V	4.5/10
URX000423	35	0.71mH	103	CAB-13V	5.9/13
URX000424	46	0.3mH	78	CAB-13V	5.4/12
URX000425	46	0.55mH	100	CAB-13V	7.7/17
URX000426	65	0.19mH	87	CAB-13V	8.2/18
URX000427	83	0.17mH	119	CAB-13V	8.6/19
URX000428	104	0.12mH	94	CAB-13V	10/22
URX000429	130	0.095mH	132	CAB-13V	11.8/26
URX000430	160	0.08mH	110	CAB-13V	15.4/34
URX000431	200	0.06mH	159	CAB-17V	15.4/34
URX000432	250	0.05mH	275	CAB-17V	15.9/35
URX000433	322	0.05mH	300	CAB-17V	25.9/57
URX000434	414	0.033mH	333	CAB-26C2	35.4/78
URX000501	55	0.27mH	68	CAB-13V	8.2/18
URX000502	2.1	11mH	14.3	CAB-8	0.9/2
URX000503	4.8	4.8mH	23	CAB-8	0.9/2
URX000504	7.6	3mH	37.2	CAB-8	1.4/3
URX000505	11	3.3mH	54.4	CAB-8	2.3/5
URX000551	1.6	14mH	10.9	CAB-8	0.9/2
URX000552	4.8	7.7mH	37.5	CAB-8	1.4/3
URX000553	55	0.47mH	110	CAB-13V	9.1/20
URX000554	65	0.38mH	105	CAB-13V	10/22
URX000555	83	0.29mH	155	CAB-13V	11.8/26
URX000556	104	0.23mH	200	CAB-13V	12.7/28
URX000557	130	0.18mH	153	CAB-13V	16.8/37
URX000558	160	0.155mH	195	CAB-13V	18.1/40
URX000559	200	0.115mH	224	CAB-17V	22.2/49
URX000560	250	0.095mH	284	CAB-17V	24.9/55
URX000561	322	0.07mH	383	CAB-26C2	34.5/76
URX000562	414	0.066mH	531	CAB-26C2	44.5/98
URX000563	515	0.05mH	496	CAB-26C2	53.5/118
URX000564	600	0.04mH	747	CAB-26C2	65.3/144
URX000565	750	0.035mH	838	CAB-26C2	75.3/166
URX000566	515	0.025mH	314	CAB-26C2	36.7/81

Title: Enclosed AC Reactors Technical Specifications

Product(s): All AC Drives

Doc. No. PN.REACTORS.01

Enclosed AC Reactors (cont.)

Enclosed Reactor Part Number	Reactor Rating (Amps)	Inductance (mH)	Heat Loss (Watts)	Enclosure Cabinet	Weight kg/lbs.
URX000568	21	1.8mH	73.5	CAB-13V	4.5/10
URX000569	1.1	42mH	11.9	CAB-8	0.9/2
URX000570	1.1	33mH	10.1	CAB-8	0.9/2
URX000571	1.6	23mH	15	CAB-8	0.9/2
URX000572	2.1	18mH	19.6	CAB-8	0.9/2
URX000573	3.4	11mH	26.5	CAB-8	1.4/3
URX000574	7.6	4.8mH	47.8	CAB-8	1.8/4
URX000575	28	1.3mH	93.8	CAB-13V	4.5/10
URX000576	35	1.2mH	122	CAB-13V	8.2/18
URX000577	46	0.98mH	179	CAB-13V	10.9/24
URX000580	600	0.02mH	375	CAB-26C2	170.1/375
URX000581	750	0.017mH	468	CAB-26C2	47.6/105
URX000583	1.6	6.9mH	6.9	CAB-8	0.9/2
URX000584	3.4	6.8mH	19.6	CAB-8	0.9/2
URX000585	1.1	21mH	7.8	CAB-8	0.9/2
URX000651	2.1	5.3mH	9	CAB-8	0.9/2
URX000652	1.1	10mH	4.8	CAB-8	0.9/2
URX000653	0.75	31mH	6.6	CAB-8	0.9/2
URX000654	0.75	49mH	8.8	CAB-8	0.9/2