

Title: Enclosed DC Reactors Technical Specifications

Product(s): All AC Drives

Doc. No. PN.REACTORS.03

The following is a list of enclosed DC reactors that can be used with Yaskawa Drives. The list includes the part number, ratings, and the dimensions of each reactor.

Contact Yaskawa with any questions on selecting, connecting, or installing these reactors.

Table of Contents

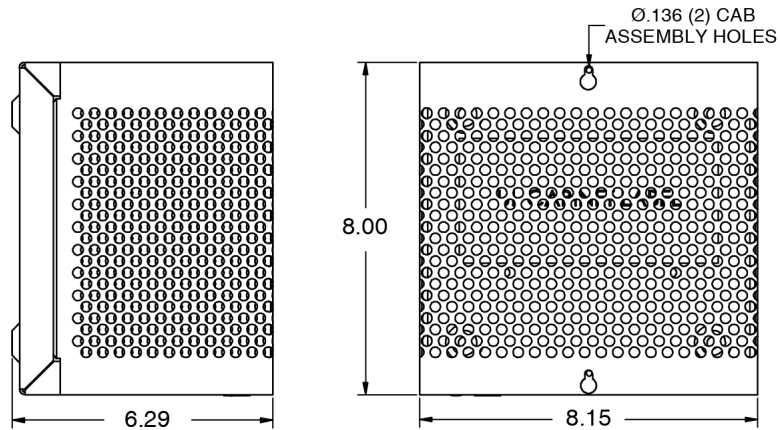
ENCLOSED REACTOR CABINET DRAWINGS.....2
ENCLOSED REACTOR RATINGS AND SPECIFICATIONS3

Title: Enclosed DC Reactors Technical Specifications

Product(s): All AC Drives

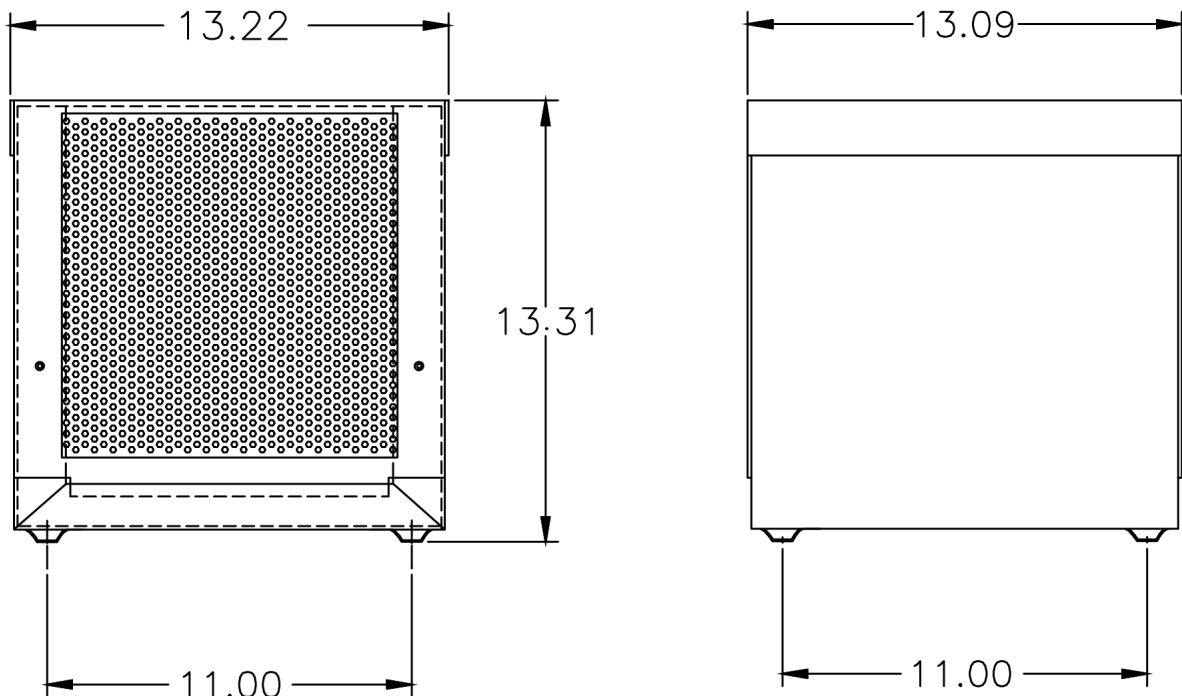
Doc. No. PN.REACTORS.03

Enclosed Reactor Drawings: CAB-8



UNITS: INCHES

Enclosed Reactor Drawings: CAB-13V



UNITS: INCHES

Title: Enclosed DC Reactors Technical Specifications

Product(s): All AC Drives

Doc. No. PN.REACTORS.03

Enclosed DC Reactors

Enclosed Part Number	Enclosure	Weight (lbs)	DC Amps	Inductance (mH)	Watts	Lug Size	Torque (in-lbs)
URX000184	CAB -8	15	40	1	17	18-4	20
URX000207	CAB -8	9	4	12	5	22-14	4.5
URX000208	CAB -8	11	9	7.5	11	18-4	20
URX000209	CAB -8	11	12	4	11	18-4	20
URX000210	CAB -8	14	18	2.75	16	18-4	20
URX000211	CAB -8	14	25	1.275	13	18-4	20
URX000212	CAB -8	12	25	1.75	13	18-4	20
URX000213	CAB -13V	32	62	0.61	20	6-0	*1
URX000214	CAB -13V	32	80	0.4	25	6-0	*1
URX000215	CAB -8	9	2	50	5	22-14	4.5
URX000216	CAB -8	11	4	25	9	18-4	20
URX000217	CAB -8	9	4	15	6	22-14	4.5
URX000218	CAB -8	14	9	11.5	16	18-4	20
URX000219	CAB -8	TBD	6	12	14	TBD	TBD
URX000220	CAB -8	15	18	3.75	17	18-4	20
URX000221	CAB -13V	32	32	2.68	21	18-4	20
URX000222	CAB -13V	33	50	1.35	21	18-4	20
URX000223	CAB -13V	28	32	1.62	14	18-4	20
URX000224	CAB -13V	31	25	4	16	18-4	20
URX000225	CAB -13V	39	40	2	29	18-4	20
URX000257	CAB -8	9	9	3.22	7	22-14	4.5
URX000258	CAB -8	TBD	12	2.1	7	TBD	TBD
URX000259	CAB -8	11	18	1.375	9	18-4	20
URX000260	CAB -13V	31	18	6	20	18-4	20
URX000261	CAB -8	12	32	0.85	11	18-4	20
URX000262	CAB -8	15	50	0.625	18	18-4	20
URX000263	CAB -13V	43	50	2	30	6-0	*1
URX000264	CAB -13V	26	62	0.32	17	6-0	*1
URX000265	CAB -13V	41	92	0.6	34	6-0	*1
URX000266	CAB -13V	28	92	0.2	19	6-0	*1
URX000435	CAB -8	8	12	1	5	22-14	4.5
URX000436	CAB -8	12	40	0.5	14	18-4	20
URX000437	CAB -8	14	40	0.75	15	18-4	20

*1: 6-4(45) & 2-0(50)