

Yaskawa Introduces the U1000 Industrial Matrix Drive

Greenest Drive Ever Provides Reduced Harmonics and Power Regeneration

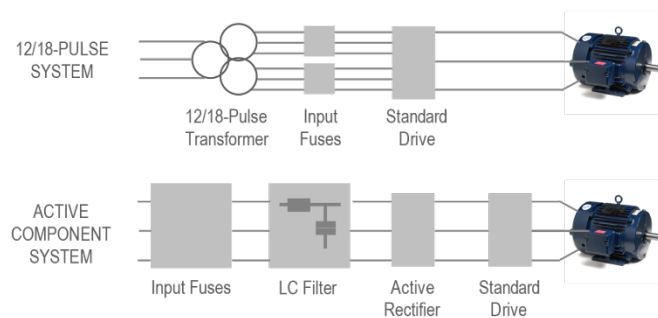
Waukegan, Ill. Yaskawa is pleased to introduce its greenest drive ever, the all new *U1000 Industrial Matrix Drive*, the product that enhances performance beyond that of a conventional AC drive.

Enjoy extremely low harmonic distortion and regeneration in a space-saving design, completely without the need for additional components. Unlike conventional drives, Yaskawa's Matrix technology employs a system of 9 bi-directional switches that are arranged in a matrix to convert a three-phase AC input voltage directly into a three phase AC output voltage. This eliminates the need for a rectifying circuit and DC smoothing circuit that are used in traditional AC drive "inverters". The result is a compact drive with full regenerative capability and reduced harmonic distortion.

Full Power Regeneration: Traditional drives utilize regenerative braking resistors to dissipate energy as heat, reducing energy efficiency. The U1000 Industrial Matrix drive allows you to return regenerative energy directly back to the power supply, increasing energy efficiency and saving money.

Power Quality Improvement: When a conventional AC drive converts power, the input current becomes distorted, resulting in reduced power quality. Matrix technology reduces total harmonic distortion levels to 5%, without the need for reactors and filters. The result is a smoother current waveform that reduces stress on the system power supply and infrastructure. Additionally, reduced distortion improves power factor and thus, reduces energy costs.

USING COMPLICATED SYSTEMS FOR LOW HARMONICS OR POWER REGENERATION?



TRY THE EFFICIENT WAY WITH THE U1000 INDUSTRIAL MATRIX DRIVE



LESS SPACE, FASTER SETUP, HIGHER EFFICIENCY

Additionally, the Matrix drive is a member of the Yaskawa industrial drive family, and provides the same user experience as Yaskawa's popular 1000 series drives.

<p>Contact: Tom Kutcher Manager, Marketing Communications Phone: 847-887-7318 E-mail: tom_kutcher@yaskawa.com</p>	<p>Yaskawa America, Inc. Drives & Motion Division 2121 Norman Drive South Waukegan, IL 60085 Phone: 800-YASKAWA (927-5292) Fax: 847-887-7310</p>	<p>Document Number: PR.U1000.01 5/13/2015</p>
---	--	---

Primary Features

- Fully Regenerative
- Low Input Distortion Across a Wide Load and Speed Range
- IEEE-519 Compliant (<5% THD)
- Eco-Mode to Achieve Near Across-the-Line THD
- Near Unity Power Factor
- Integrated Input Fusing Provides 100kA SCCR
- Compact Design

The U1000 Industrial Matrix drive is available in the following voltage and power ranges

- 240V Class: 10 – 100 HP Normal Duty (7.5 – 75HP Heavy Duty)
- 480V Class: 7.5 – 350 HP Normal Duty (5 – 300HP Heavy Duty)

About Yaskawa

The Drives & Motion Division of Yaskawa America, Inc. manufactures industrial automation equipment. Its products include industrial AC drives; commercial HVAC drives; spindle drives and motors; servo amplifier systems and machine controllers; and low-voltage industrial control switches. The company's products are used in automotive, building automation, chemical and petrochemical, food and beverage, machine tool, material handling, metal forming, packaging, pharmaceutical, solar, plastics and rubber, and textile applications. Yaskawa America's Motoman Robotics Division makes industrial robots that can weld, assemble, cut and handle goods for manufacturers.

Yaskawa America, Inc. employs more than 1,000 people at its headquarters in Waukegan, IL, its manufacturing facilities in Buffalo Grove, IL and Oak Creek, WI, and in offices across the United States. For more information about the U1000 Industrial Matrix Drive, please visit our website at www.yaskawa.com.