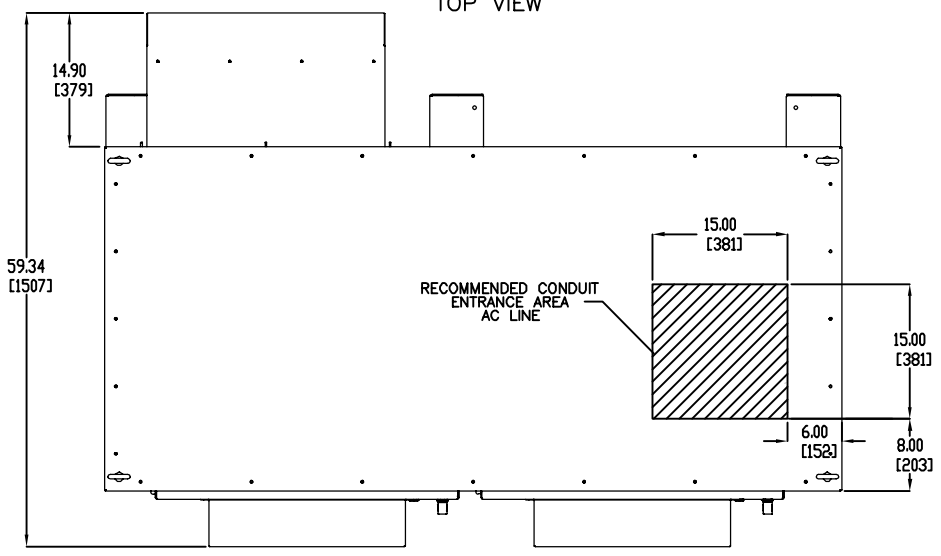


1 2 3 4 5 6 7 8 9 10 11 12 13 14 15 16

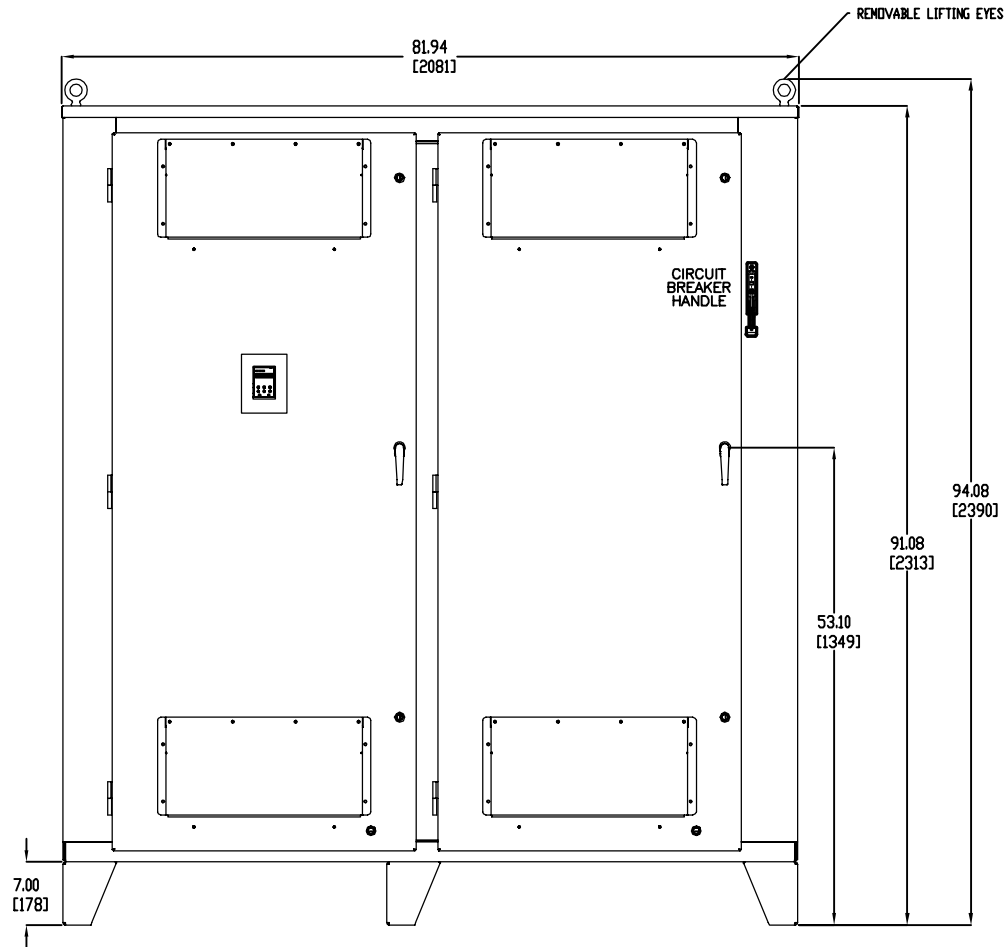
A B C D E F G H J K L M N P Q R S T U

A B C D E F G H J K L M N P Q R S T U

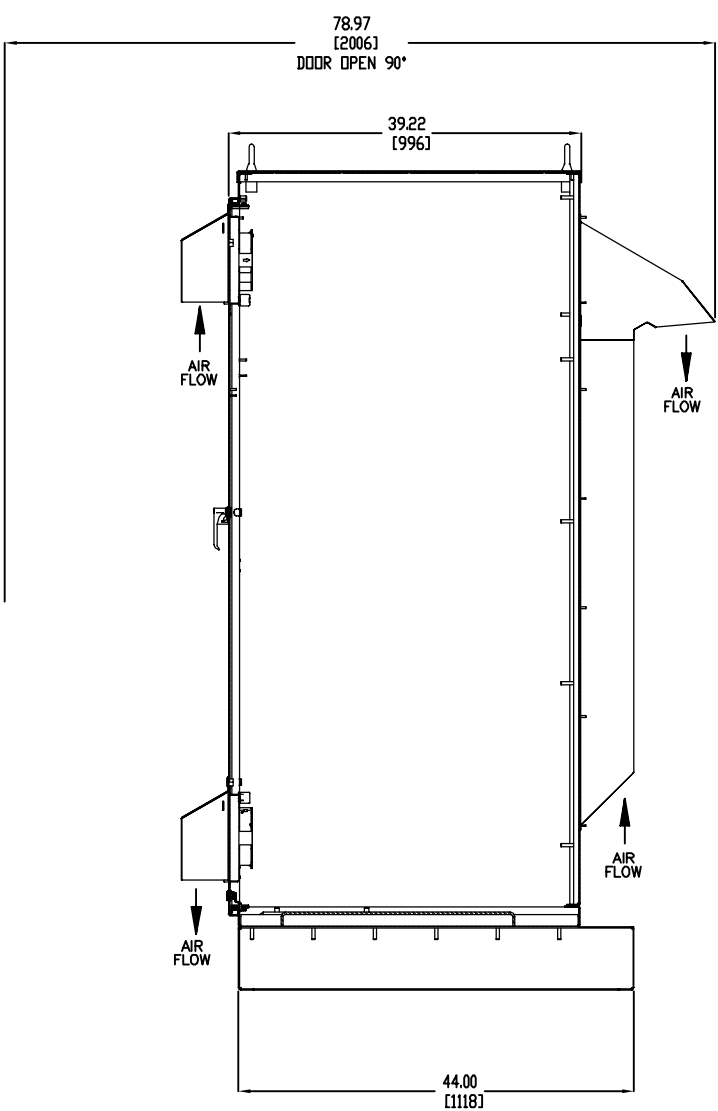
TOP VIEW



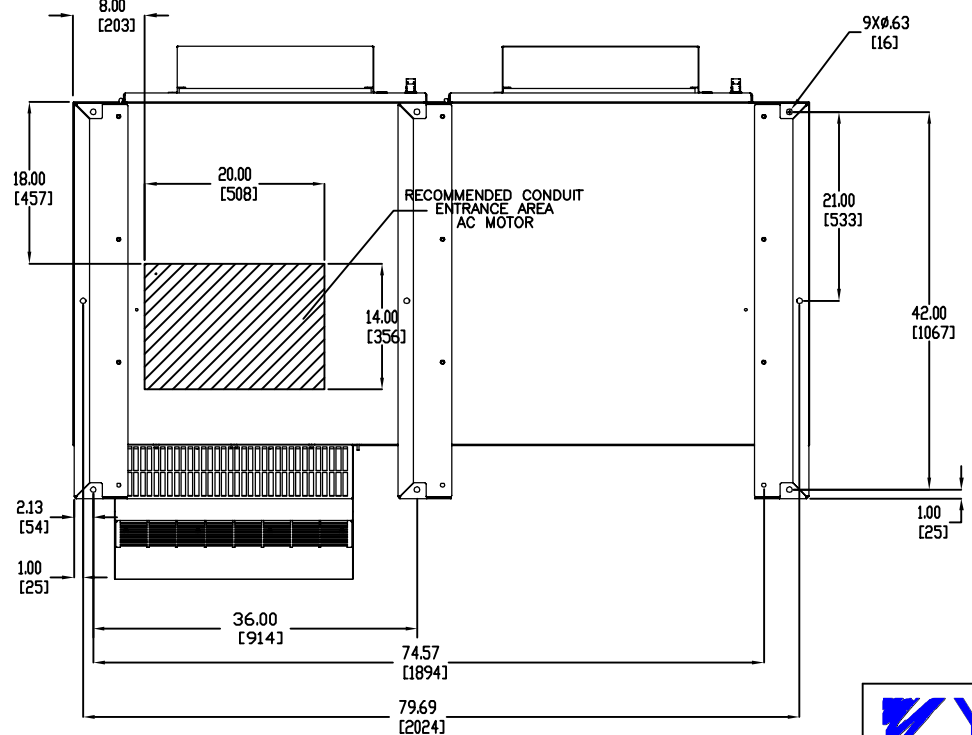
FRONT VIEW



SIDE VIEW



BOTTOM VIEW



		DRAWN BY:	P. STOCKUS	DATE:	12/9/13	TITLE: OUTLINE DIAGRAM TYPE 3R F2A ENCLOSURE
		CHECKED:	D. TUMILSON	DATE:	12/9/13	
THIS DOCUMENT AND INFORMATION CONTAINED IN IT ARE CONFIDENTIAL, AND CANNOT BE COPIED OR DISCLOSED IN WHOLE OR IN PART WITHOUT THE EXPRESS WRITTEN CONSENT OF YASKAWA AMERICA INC.		TECH:		DATE:		SIZE: C REVISION: R01 PAGE: 1 of 1
REVISIONS		APPROVED:	P. STOCKUS	DATE:	12/9/13	DRAWING #:
REV.	DESCRIPTION	ECO #	DRAWN BY	DATE		
01	CHANGED TO F2A CABINET	5448	NSL	8/11/14		
00	INITIAL RELEASE	-	PS	12/9/13		Q1C3J361-50

1 2 3 4 5 6 7 8 9 10 11 12 13 14 15 16