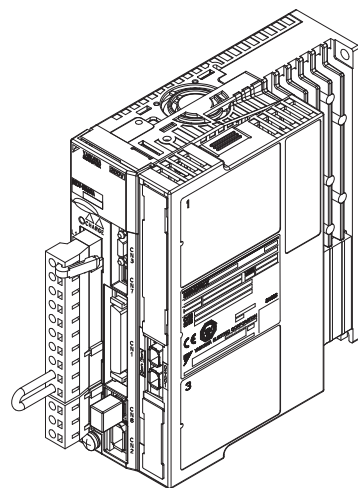


AC SERVOPACK  
 Σ-V Series/  
 Σ-V Series for Large-Capacity Models/  
 Σ-7 Series  
 Installation Guide  
 Safety Module  
 Safety Module Model: SGDV-OZA01A



MANUAL NO. TOBP C720829 06C

This installation guide explains how to mount the safety module onto the Σ-V, large-capacity Σ-V or Σ-7 Series SERVOPACK. Read this installation guide thoroughly as well as the safety precautions (Manual No.: TOBP C720829 00) included with the product.

**General Precautions**

- The drawings presented in this instructions are sometimes shown without covers or protective guards. Always replace the equipment's cover or protective guard as specified first, and then operate the products in accordance with the user's manual.
- The drawings presented in this instructions are typical examples and may not match the product you received.
- These instructions are subject to change due to product improvement, specification modification, and instructions improvement. When these instructions are revised, the instructions code is updated and the new instructions is published as a next edition.
- If the instructions must be ordered due to loss or damage, inform your nearest Yaskawa representative or one of the offices listed on the back of this instructions.
- Yaskawa will not take responsibility for the results of unauthorized modifications of this product. Yaskawa shall not be liable for any damages or troubles resulting from unauthorized modification.

**Safety Information**

- The following conventions are used to indicate precautions in these instructions.
- Failure to heed these precautions can result in serious or possibly even fatal injury or damage to the products or to related equipment and systems.

**WARNING** Indicates precautions that, if not heeded, could possibly result in loss of life or serious injury.

**CAUTION** Indicates precautions that, if not heeded, could result in relatively serious or minor injury, damage to the product, or faulty operation.

In some situations, the precautions indicated could have serious consequences if not heeded.

**APPLICABLE SERVOPACKs**

Σ-V Series, Large-Capacity Σ-V Series or Σ-7 Series Σ-7S Models

**ITEMS REQUIRED FOR INSTALLATION**

**Package Contents**

A-Board<sup>1</sup>      B-Mounting screws for board (2)      C-Nameplate (Ratings)  
 D-Nameplate (Model no.)      E-Nameplate<sup>2</sup> (Component code)

\*1: This board is an example and may differ from the received product.  
 \*2: Details of nameplates shown may differ from the received product. Refer to the user's manual to confirm correct details.

**Additional Items (not included)**

Option Case Kit\* (Model: SGDV-OZA01A)  
 F-Mounting plate      G-Mounting screws for plate (2)      H-Module cover      I-SERVOPACK  
 J-Phillips screwdriver      K-Screwdriver

\* : For large-capacity Σ-V SERVOPACKs, a kit is attached to the SERVOPACK.

**INSTALLATION CONDITIONS**

Install the module in the following environment.

- Cover the working area with a conductive or antistatic mat.
- This mat must be safely grounded with a resistor (1 MΩ±20%).
- The surrounding air temperature must be between 0 and 55°C.
- Ambient humidity must be 90% RH or less (with no condensation).
- No extreme changes in temperature that can cause condensation
- Free from corrosive or flammable gases
- Free from dust, salts, or iron dust
- Not subject to water, oil, or chemicals
- No vibration and/or shock directly transmitted to the product

**SAFETY PRECAUTIONS**

**Before starting**

**CAUTION**

- Always wear an antistatic wrist strap that is safely grounded.
- Touch a safely grounded object to discharge any static electricity from your body.

**Installation**

**CAUTION**

- Install in the specified environment. Failure to observe this caution may result in malfunction.
- Disconnect all cables from the SERVOPACK before installing the board. Failure to observe this caution may result in malfunction.
- Do not apply any impact to the board. Failure to observe this caution may result in malfunction.
- Protect the board from moisture. Failure to observe this caution may result in malfunction.
- Do not touch the connector or electronic components on the board. Hold the board along its edges when installing. Failure to observe this caution may result in malfunction.
- Do not place any object on the board. Failure to observe this caution may result in malfunction.
- Avoid direct contact with any object that has not had antistatic treatment. Failure to observe this caution may result in malfunction.
- Make sure that your clothing is not in contact with the board. Failure to observe this caution may result in malfunction.
- Do not tighten the screws with excessive torque. The recommended tightening torque is 0.49 N·m ±10%. Tightening screws with excessive torque may damage screw threads and the spacer, resulting in deformation of the board.

**INSTALLATION PROCEDURE**

For large-capacity Σ-V SERVOPACKs, remove the module cover from the SERVOPACK and start with step 3.

**Preparing the SERVOPACK**

**1. Fit the mounting plate (F) into the recess on the SERVOPACK (I), and fix the plate with the mounting screws (G). (Tightening torque: 0.49 N·m)**

Back      F-Mounting plate      G-Mounting screws      I-SERVOPACK

**2. Remove the connector cover from the SERVOPACK.**

Connector cover

**Installing the Board**

**3. Hold both ends of the board (A) as shown in the illustration, and firmly insert the board connector into the connector port on the SERVOPACK.**

Insert the board connector firmly into the connector port.

A-Board

**4. Fix the board on the SERVOPACK with four screws. (Tightening torque: 0.49 N·m)**

B-Mounting screws

Tighten this pre-attached screws as well.

**Preparing the Module Cover**

**5. Remove one of the front covers (shown in the illustration) from the module cover (H) with a screwdriver (K).**

Front cover (Remove only this cover.)      H-Module cover      K-Screwdriver

Insert a screwdriver here to remove the front cover.

• Do not remove the other front covers.

**6. Affix three nameplates (C, D, E) to the positions specified in illustration.**

**7. The product is under warranty only when the nameplate (C) is attached.**

C-Nameplate (Ratings)  
 D-Nameplate (Model no.)  
 E-Nameplate (Component code)

For details on where to affix the nameplate (E), refer to the user's manual.

**Mounting the Module Cover**

**7. Align the front end of the module cover (H) with the front panel of the SERVOPACK as shown in the illustration, and place the module cover so that you can view the installed board from the opening (where the front cover is removed) on the module cover.**

Front panel      H-Module cover I-SERVOPACK

**8. Fix the module cover to the SERVOPACK by pushing in the retention clips on the left and right side of the module cover, while directing their angled end protrusions to enter the SERVOPACK.**

Retention clip angled end protrusion

Retention clip

Push the clips in the direction indicated by the arrow so the clip will go into the SERVOPACK.

**After Installing**

Conduct a trial operation after the safety module has been properly installed on the SERVOPACK. For trial operation details, refer to the manual for SERVOPACK being used.

Note : Before using the SERVOPACK, remove the safety function jumper connector from CN8.

**If You Need to Send Us the Option Module for Service**

Always leave the option module attached to the SERVOPACK when sending the option module to YASKAWA for service.

AC SERVOPACK  
 Σ-V Series/  
 Σ-V Series for Large-Capacity Models/  
 Σ-7 Series  
 Installation Guide  
 Safety Module

- YASKAWA BUSINESS CENTER (SOLUTION CENTER)**  
 480, Kamakura-shi, Kanagawa, 248-8505, Japan  
 Phone: +81-42-862-5151 Fax: +81-42-862-6152  
<http://www.yaskawa.co.jp>
- YASKAWA AMERICA, INC.**  
 2121, Norman Drive South, Westborough, MA 01581, U.S.A.  
 Phone: +1-800-949-6343 (Toll-Free) Fax: +1-847-487-7320  
<http://www.yaskawa.com>
- YASKAWA EUROPE GmbH**  
 Hauptstraße 165, D-71636 Ebersheim, Germany  
 Phone: +49-7145-569-300 Fax: +49-7145-569-398  
<http://www.yaskawa.eu.com> E-Mail: [info@yaskawa.eu.com](mailto:info@yaskawa.eu.com)
- YASKAWA ELECTRIC KOREA CORPORATION**  
 287, Toseong-Ro, B/D Ssangyong, Yongsu-Gu, Seoul, 07326, Korea  
 Phone: +82-2-784-1844 Fax: +82-2-784-8495  
<http://www.yaskawa.co.kr>
- YASKAWA ASIA PACIFIC PTE. LTD.**  
 304, Kallang Road, #05-01, SINGAPORE  
 Phone: +65-6346-3033 Fax: +65-6346-3033  
<http://www.yaskawa.com.sg>
- YASKAWA ELECTRIC (THAILAND) CO., LTD.**  
 59, 1st-5th Floor, Phrasim Building, Soi Ratchadapisek 18, Ratchadapisek Road, Huaykwang, Bangkok, 10310, Thailand  
 Phone: +662-017-0739 Fax: +662-017-0739  
<http://www.yaskawa.co.th>
- YASKAWA ELECTRIC (CHINA) CO., LTD.**  
 222, Link Square 1, Huizhou, Haidian Road, Shengzhou, 200021, China  
 Phone: +86-21-5885-2200 Fax: +86-21-5885-2299  
<http://www.yaskawa.com.cn>
- YASKAWA ELECTRIC (CHINA) CO., LTD. BEIJING OFFICE**  
 Room 1011, Tower 100, Central Plaza, No. 1, East Chang An Ave., Dong Cheng District, Beijing, 100785, China  
 Phone: +86-10-8191-8266 Fax: +86-10-8191-8262
- YASKAWA ELECTRIC TAIWAN CORPORATION**  
 127, No. 207, Sec. 2, Shennong Rd., Shindian Dist., New Taipei City 22143, Taiwan  
 Phone: +886-2-8913-1320 Fax: +886-2-8913-1513 or +886-2-8913-1519  
<http://www.yaskawa.com.tw>

In the event that the end user of this product is to be the military and said product is to be employed in any weapons systems or the manufacture thereof, the export will fall under the relevant regulations as stipulated in the Foreign Exchange and Foreign Trade Regulations. Therefore, be sure to follow all procedures and submit all relevant documentation according to any and all rules, regulations and laws that may apply. Specifications are subject to change without notice for ongoing product modifications and improvements.