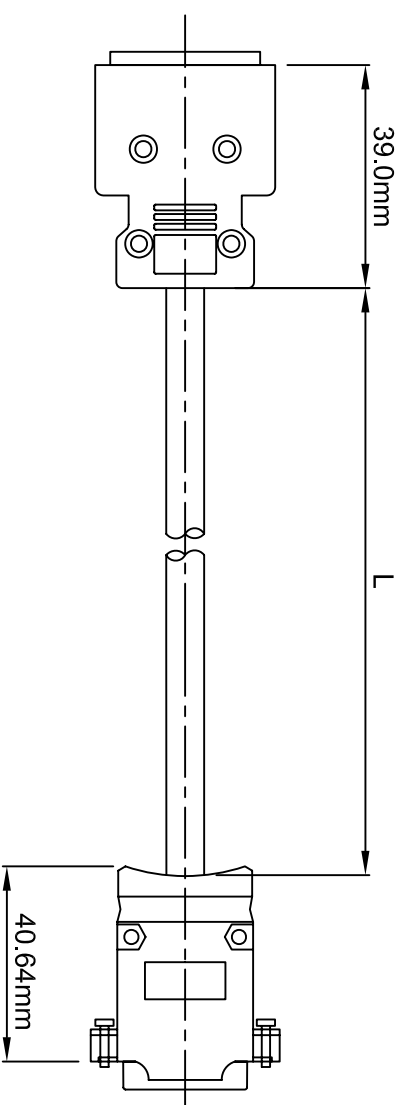


YASKAWA MODULE SIDE

CABLE SPECIFICATION (mm)	
OUTER DIAMETER	6.4 +/- 0.1mm
BENDING RADIUS	10 x O.D. FOR LONG TERM RELIABILITY

TERMINAL BLOCK SIDE



TERMINAL BLOCK & CABLE KIT ITEM #S

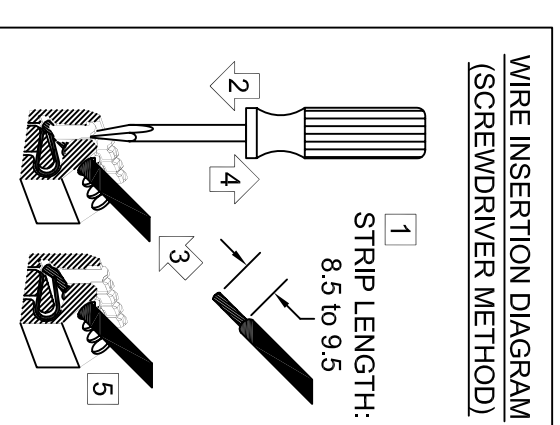
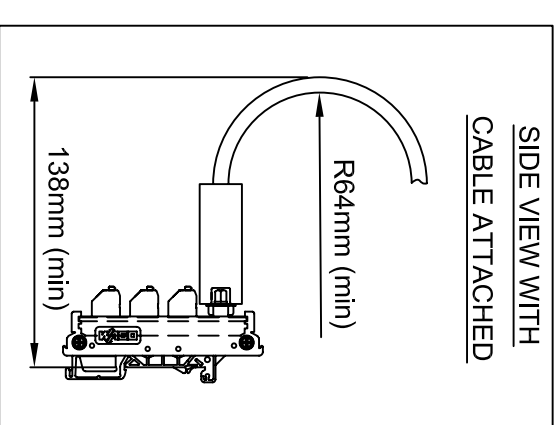
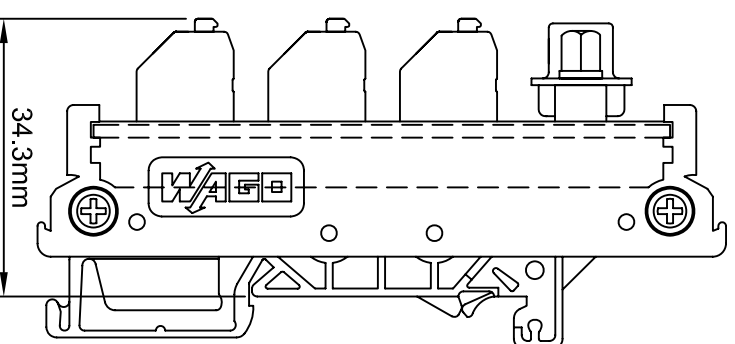
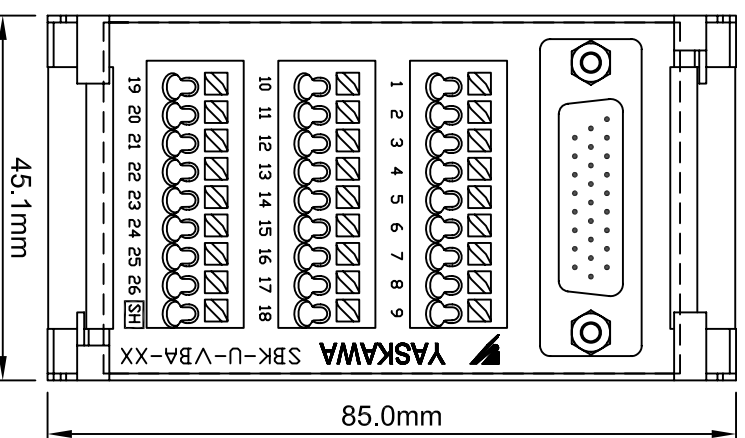
ITEM#	DESCRIPTION	L = LENGTH (mm)
SBK-U-VBA-01(A)	I/O CABLE W/TERMINAL BLOCK, L= 1 M	1000 +/- 38.1

KIT BILL OF MATERIALS

DESCRIPTION	QTY
1 CABLE	1
2 TERMINAL BLOCK	1
3 YASKAWA INSTRUCTION SHEET (UDA00685)	1

NOTES:

- 1) TERMINAL BLOCK WIRE STRIP LENGTH = 8.5 TO 9.5mm
 - 2) TERMINAL BLOCK WIRE SIZE = 16AWG - 24AWG SOLID OR STRANDED.
 - 3) SOLID WIRES AND WIRES WITH FERRULES CAN BE INSERTED DIRECTLY INTO THE TERMINALS WITHOUT THE NEED TO ACTUATE THE TERMINAL BUTTON.
 - 4) FOR STRANDED WIRES THE TERMINAL BUTTON MUST BE ACTUATED WITH A 1/8" WIDE FLAT BLADE SCREWDRIVER OR WITH A WAGO OPERATING TOOL (210-719, 210-720, OR 250-657).
 - 5) TERMINAL BLOCK MOUNTS TO DIN 35 RAIL.
 - 6) TERMINAL BUTTON ACTUATION FORCE = BETWEEN 3 lbf AND 8 lbf FOR THE SPRING TO BE FULLY ACTUATED.
- WARNING - DAMAGE MAY OCCUR IF MORE THAN 40 lbf IS APPLIED TO THE TERMINAL BUTTON.**



REV	DESCRIPTION	EC#	DRAWN BY	DATE
-	-	-	-	-
-	-	-	-	-
-	-	-	-	-
-	-	-	-	-
-	-	-	-	-
0	INITIAL RELEASE	2010-715	-	-

SEE PAGE 2/2 FOR SBK-U-VBA-01(A) FUNCTIONALITY INFORMATION

MATERIAL: N/A		TOLERANCES/REFERENCES: UNLESS OTHERWISE SPECIFIED	
SPEC: N/A		-	
FINISH: N/A		-	
MODELS: SEE CHART		-	
REF DWG(S): UDA00452 (0), UDA00674 (0)	UNITS: mm	SCALE: NTS	DATE: 11/23/10
		DRAWN: E. SONDERMAN CHECKED: C. KINTNER	DATE: 11/18/10 DATE: 11/23/10
THIS DOCUMENT AND INFORMATION CONTAINED HEREIN ARE CONFIDENTIAL AND CANNOT BE COPIED OR DISCLOSED IN WHOLE OR IN PART WITHOUT THE EXPRESS WRITTEN CONSENT OF YASKAWA AMERICA INC.		TITLE: SBK-U-VBA-01(A) TERMINAL BLOCK & CABLE KIT INSTRUCTIONS ITEM #: SBK-U-VBA-01(A)	DRAWING #: UDA00685 PAGE: 1 of 2

SBK-U-VBA-01(A) FUNCTIONALITY CHART:

SGDV Mechatrolink-II type / SGDV Option type		
Pin Number	Signal	Function
1	/BK+ (/SO1+)	Brake interlock output (+) (General purpose output 1 (+))
2	/BK- (/SO1-)	Brake interlock output (-) (General purpose output 1 (-))
3	ALM+	Servo alarm output (+)
4	ALM-	Servo alarm output (-)
5	-	
6	+24VIN	Control power supply for sequence signal input
7	P-OT (/SI1)	Forward run prohibited input (General purpose input 1)
8	N-OT (/SI2)	Reverse run prohibited input (General purpose input 2)
9	/DEC (/SI3)	Zero-point return deceleration switch input (General purpose input 3)
10	/EXT1 (/SI4)	External latch signal 1 input (General purpose input 4)
11	/EXT2 (/SI5)	External latch signal 2 input (General purpose input 5)
12	/EXT3 (/SI6)	External latch signal 3 input (General purpose input 6)
13	/SI0	General purpose input 0
14	BAT (+)	Battery (+) input
15	BAT (-)	Battery (-) input
16	SG	Signal ground
17	PAO	Phase-A pulse output (+)
18	/PAO	Phase-A pulse output (-)
19	PBO	Phase-B pulse output (+)
20	/PBO	Phase-B pulse output (-)
21	PCO	Phase-C pulse output (+)
22	/PCO	Phase-C pulse output (-)
23	/SO2+	General purpose output 2 (+)
24	/SO2-	General purpose output 2 (-)
25	/SO3+	General purpose output 3 (+)
26	/SO3-	General purpose output 3 (-)

*TWISTED PAIRS	
1 - 2	
3 - 4	
14 - 15	
17 - 18	
19 - 20	
21 - 22	
23 - 24	
25 - 26	

REV	DESCRIPTION	EC #	DRAWN BY	DATE
-		-	-	-
-		-	-	-
-		-	-	-
-		-	-	-
-		-	-	-
-		-	-	-
0	INITIAL RELEASE	2010-7-15	-	-

MATERIAL: N/A SPEC: N/A FINISH: N/A MODELS: SEE CHART REF DWG(S): UDA00452 (0), UDA00674 (0)	TOLERANCES / REFERENCES: UNLESS OTHERWISE SPECIFIED UNITS: mm SCALE: NTS	<p style="font-size: small; margin: 0;">THIS DOCUMENT AND INFORMATION CONTAINED HEREIN ARE CONFIDENTIAL AND CANNOT BE COPIED OR DISCLOSED IN WHOLE OR IN PART WITHOUT THE EXPRESS WRITTEN CONSENT OF YASKAWA AMERICA INC.</p>
DRAWN: E. SONDERMAN CHECKED: C. KINTNER TECH: D. LEE APPROVED: M. MORAN ORIGINAL DESIGN: -	DATE: 11/18/10 DATE: 11/23/10 DATE: 11/23/10 DATE: 11/23/10	TITLE: SBK-U-VBA-01(A) TERMINAL BLOCK & CABLE KIT INSTRUCTIONS DRAWING #: UDA00685 PAGE: 2 of 2