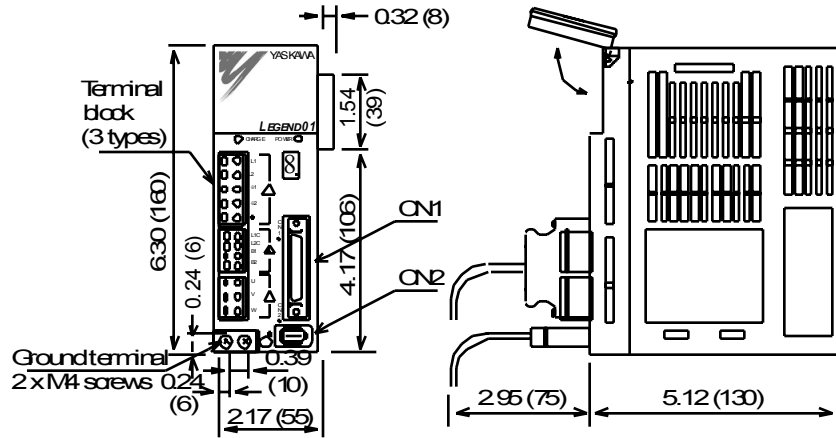


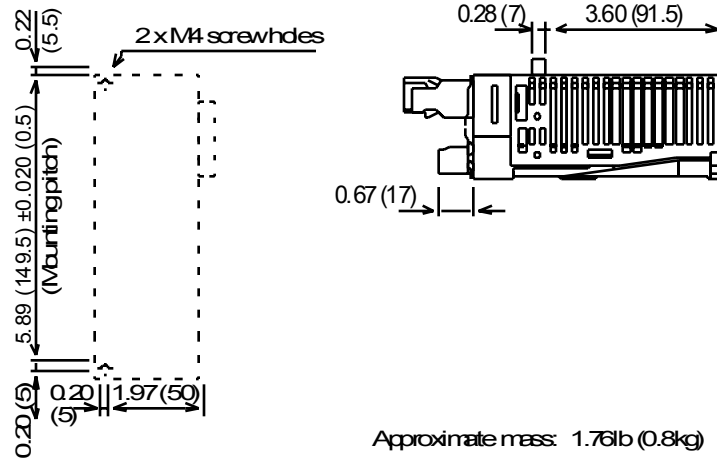
Dimensions in inches (mm)

SGDG Digital Torque Amplifier (Standard)

- SGDG-01GT (90V to 253V Single-phase, 30 to 100W)



Mounting Hole Diagram



Approximate mass: 1.76lb (0.8kg)

Connectors on the amplifier (supplied):

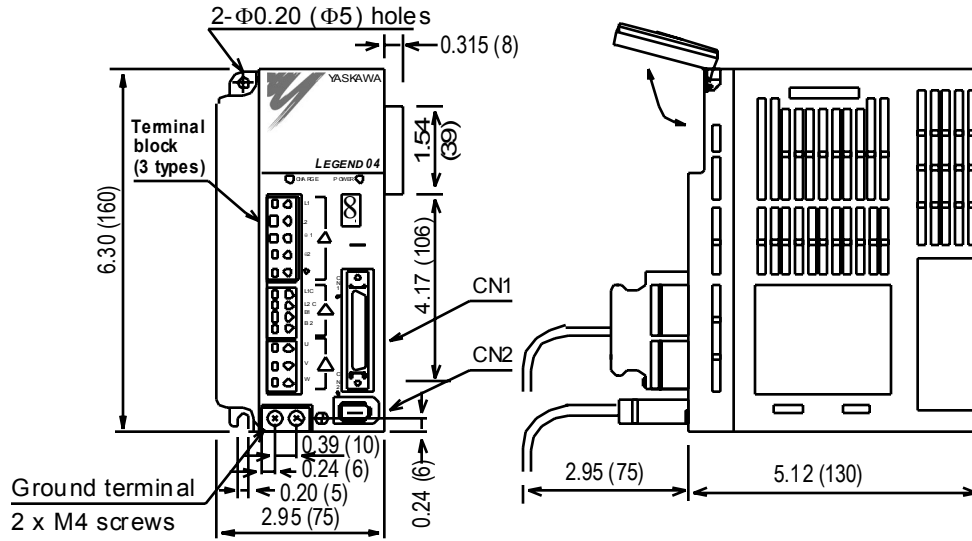
Connector Symbol	Amplifier Receptacle	Manufacturer
CN1	10236-52A2JL	3M Company
CN2	53460-0611	Molex Co.

User needs to obtain the following:

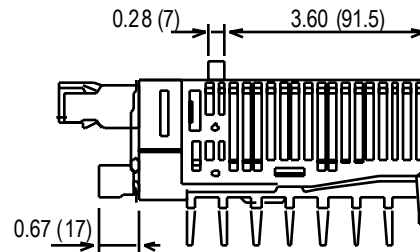
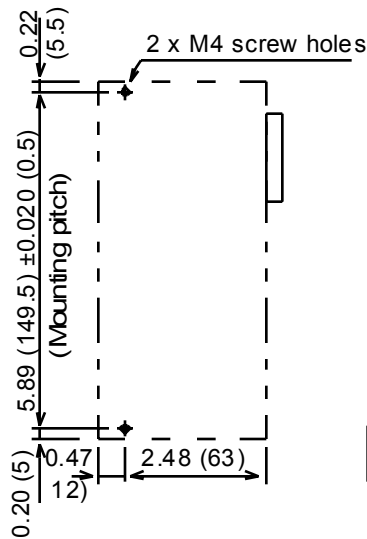
Connector Symbol	Mating Connector	Manufacturer
1CN	10136-3000VE connector 10336-52A0-008 case	3M Company
2CN	55100-0600	Molex Co.

LEGEND Digital Torque Amplifiers

- SGD-04GT (90V to 253V Single-phase, 200W to 400W)



Mounting Hole Diagram

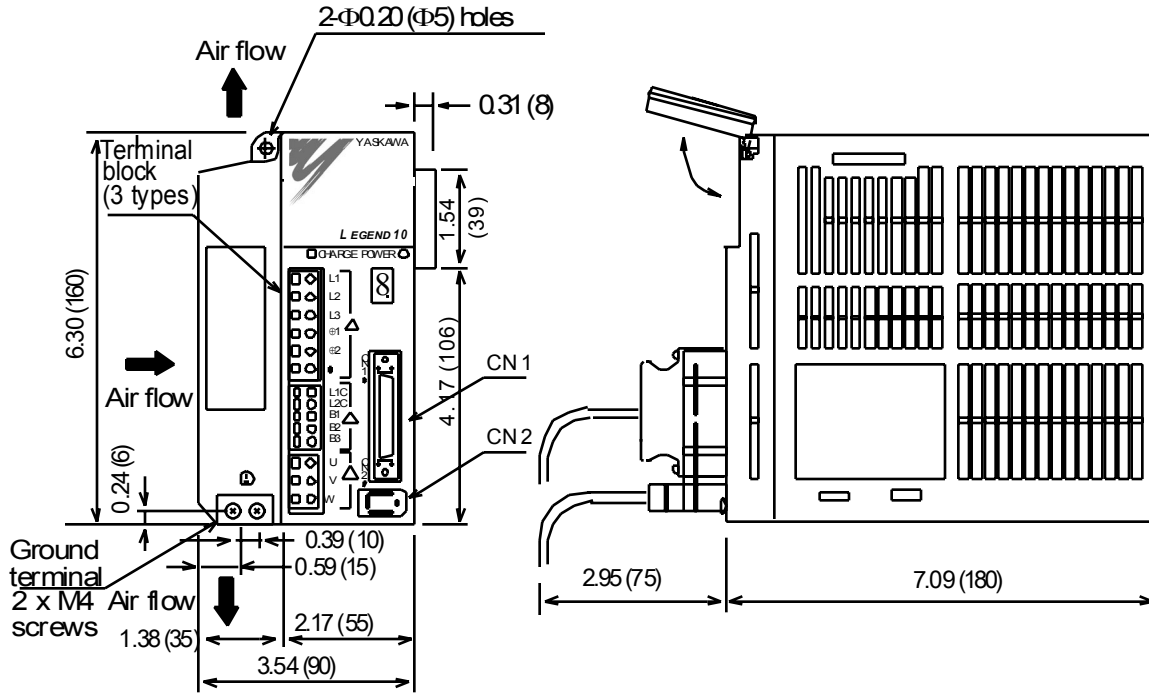


Mating connectors: see page 92.

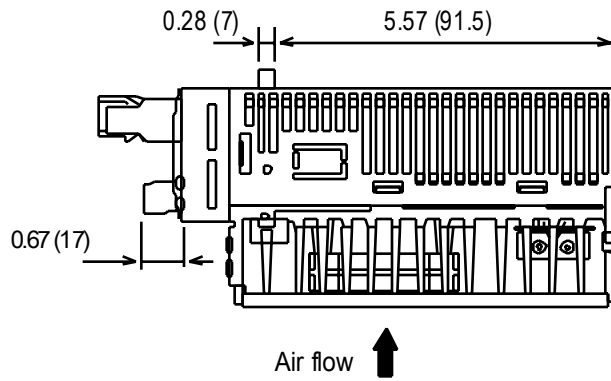
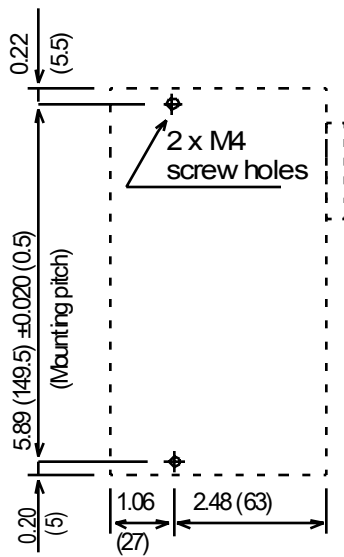
Approximate mass: 2.43lb (1.1kg)

LEGEND Digital Torque Amplifiers

- SGDГ-10GT (170V to 253V, 0.5 to 1.0kW)



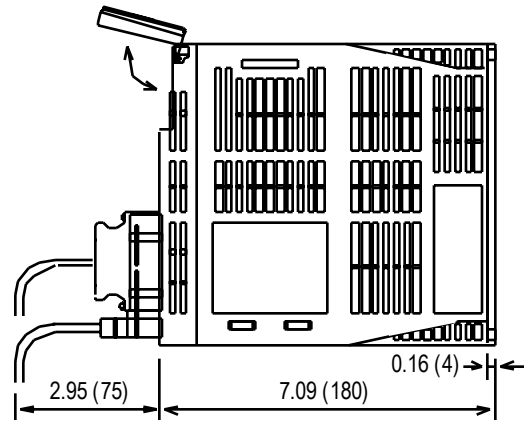
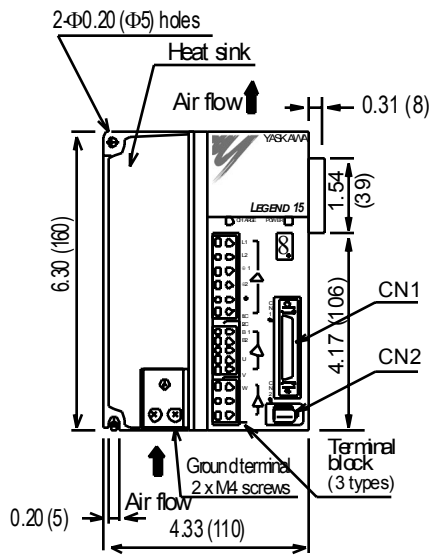
Mounting Hole Diagram



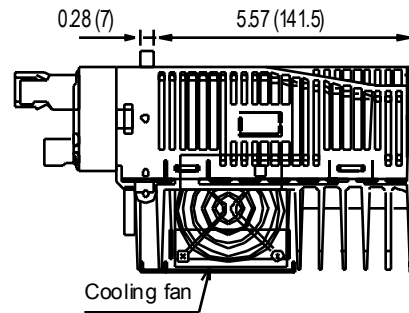
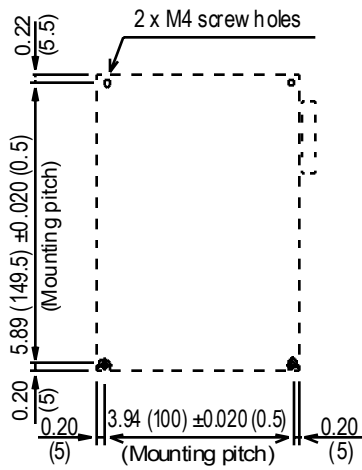
Approximate mass: 3.75lb (1.7kg)

Mating connectors: see page 92.

- **SGDG-15GT (173V to 253V 1.5kW)**



Mounting Hole Diagram



Approximate mass: 6.17lb (2.8kg)

Mating connectors: see page 92.