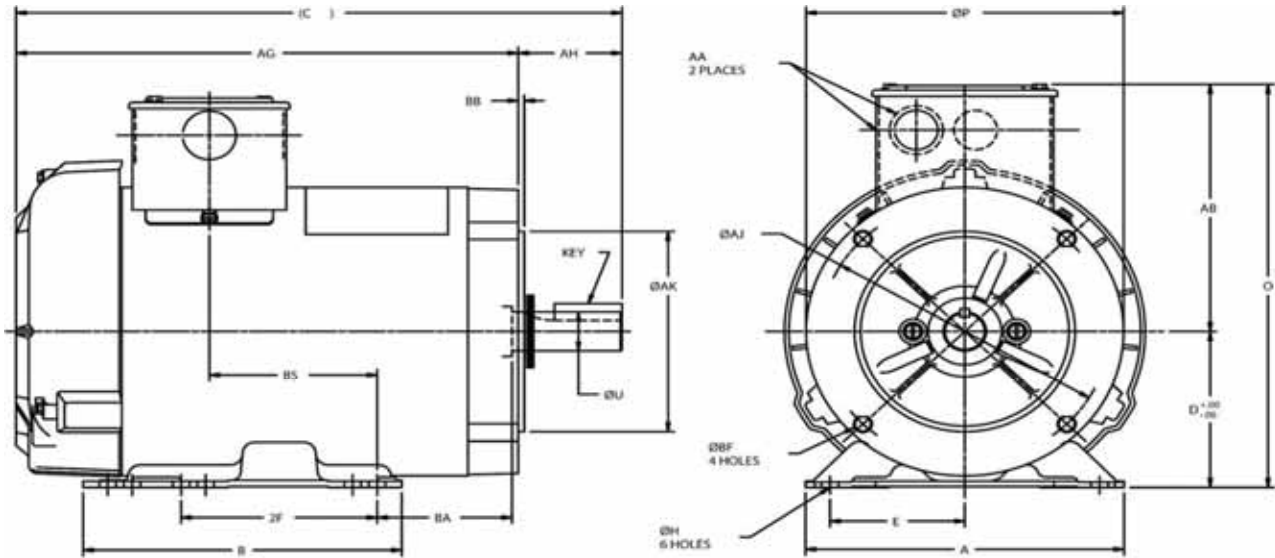




Dimensions
microMAX™



FRAME	D	E	2F	H	O MAX.	P MAX.	U	AA	AB MAX.	AG MAX.	AH	AJ	AK	BA	BB	BF	BS	KEY
56C	3.50	2.44	3.00	.35	6.35	5.69	.025	—	5.56	7.40	2.06	5.875	4.500	2.75	.16	3/8-16	5.25	19x19x1.38
145TC	3.50	2.75	3.00	.35	6.71	6.48	.075	—	5.56	11.61	2.12	5.875	4.500	2.75	.16	3/8-16	5.93	19x19x1.38
182TC	4.50	3.75	4.50	.44	9.38	9.78	1.125	1.09	7.02	13.00	2.62	7.250	8.500	3.50	.25	1/2-13	3.25	25x25x1.75

APPROVAL for CONSTRUCTION

Type _____ Frame _____ Part No. _____ Spec. _____
 HP _____ RPM _____ Volts _____ Phase _____
 Certified for: _____
 Customer Order No. _____
 Yaskawa Order No. _____ By _____ Date _____