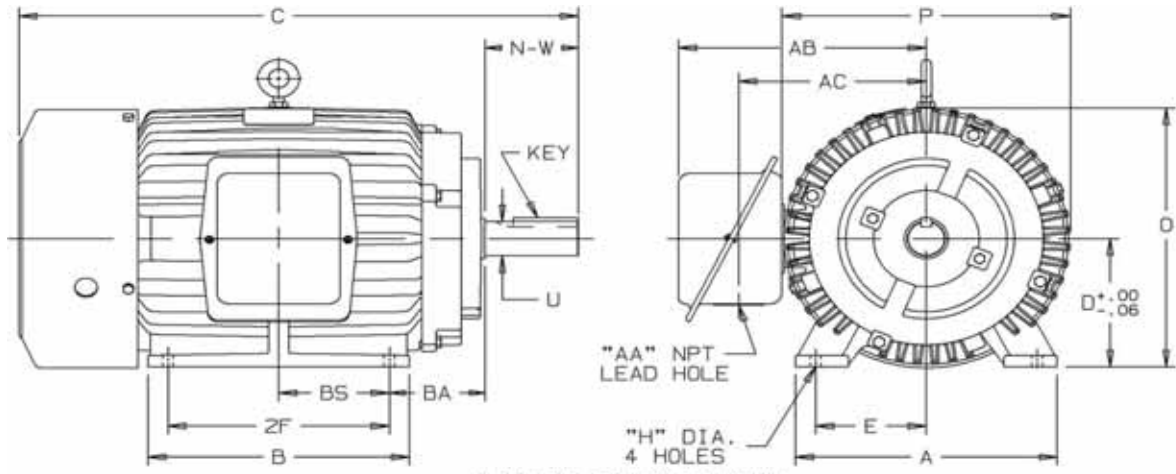


**Dimensions**  
BlueMAX® TEFC



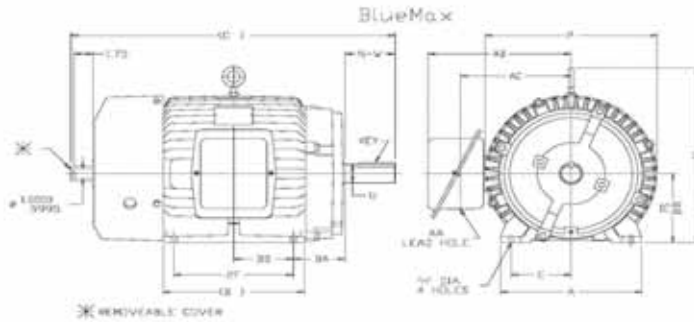
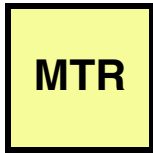
SEVERE DUTY SHOWN

FRAME	ENCL.	A (MAX)	B (MAX)	C (MAX)	D	E	ZF	H	O (MAX)	P (MAX)	U	AA (NPT)	AB (MAX)	AC (MAX)	BA	BS	N-W	KEY
143T	TENV	7.12	5.00	10.43	3.50	2.25	4.00	.34	7.45	7.98	.875	3/4	7.04	5.38	2.25	2.81	2.25	.19x.19x1.38
143T	TEFC	7.12	5.00	11.92	3.50	2.25	4.00	.34	7.45	7.98	.875	3/4	6.91	5.38	2.25	2.81	2.25	.19x.19x1.38
145T	TENV	7.12	6.00	11.43	3.50	2.25	5.00	.34	7.45	7.98	.875	3/4	7.04	5.38	2.25	3.81	2.25	.19x.19x1.38
145T	TEFC	7.12	6.00	12.92	3.50	2.25	5.00	.34	7.45	7.98	.875	3/4	6.91	2.38	2.25	3.81	2.25	.19x.19x1.38
182T	TENV	8.88	5.50	12.71	4.50	3.75	4.50	.41	9.38	9.76	1.125	3/4	8.08	6.47	2.75	2.25	2.75	.25x.25x1.75
182T	TEFC	8.88	5.50	15.19	4.50	3.75	4.50	.41	9.38	9.76	1.125	3/4	8.01	6.47	2.75	2.25	2.75	.25x.25x1.75
184T	TENV	8.88	6.50	13.71	4.50	3.75	5.50	.41	9.38	9.76	1.125	3/4	8.08	6.47	2.75	2.75	2.75	.25x.25x1.75
184T	TEFC	8.88	6.50	16.19	4.50	3.75	5.50	.41	9.38	9.76	1.125	3/4	8.01	6.47	2.75	2.75	2.75	.25x.25x1.75
213T	TENV	10.38	7.00	15.69	5.25	4.25	5.50	.44	11.00	11.50	1.375	3/4	9.31	7.69	3.50	2.75	3.38	.31x.31x2.38
213T	TEFC	10.38	7.00	18.22	5.25	4.25	5.50	.44	11.00	11.50	1.375	3/4	9.31	7.69	3.50	2.75	3.38	.31x.31x2.38
215T	TENV	10.38	8.50	17.19	5.25	4.25	7.00	.44	11.00	11.50	1.375	3/4	9.31	7.69	3.50	3.50	3.38	.31x.31x2.38
215T	TEFC	10.38	8.50	19.72	5.25	4.25	7.00	.44	11.00	11.50	1.375	3/4	9.31	7.69	3.50	3.50	3.38	.31x.31x2.38
254T	TEFC	12.12	10.25	23.52	6.25	5.00	8.25	.53	14.09	14.27	1.625	1/4	12.00	9.50	4.25	4.12	4.00	.38x.38x2.88
256T	TEFC	12.12	12.00	25.27	6.25	5.00	10.00	.53	14.09	14.27	1.625	1/4	12.00	9.50	4.25	5.00	4.00	.38x.38x2.88
284T	TEFC	13.00	11.50	27.88	7.00	5.50	9.50	.53	14.94	15.88	1.875	1/2	12.50	10.00	4.75	4.75	4.62	.50x.50x3.25
286T	TEFC	13.00	13.00	27.88	7.00	5.50	11.00	.53	14.94	15.88	1.875	1/2	12.50	10.00	4.75	4.75	4.62	.50x.50x3.25
324T	TEFC	15.75	13.00	28.88	8.00	6.25	10.50	.66	15.93	15.88	2.125	2	14.44	11.31	5.25	5.25	5.25	.50x.50x3.88
326T	TEFC	15.75	14.50	30.38	8.00	6.25	12.00	.66	15.93	15.88	2.125	2	14.44	11.31	5.25	6.00	5.25	.50x.50x3.88
364T	TEFC	17.75	13.25	31.50	9.00	7.00	11.25	.66	19.00	20.00	2.375	3	17.88	13.88	5.88	5.62	5.88	.62x.62x4.25
365T	TEFC	17.75	14.25	32.50	9.00	7.00	12.25	.66	19.00	20.00	2.375	3	17.88	13.88	5.88	6.12	5.88	.62x.62x4.25
404T	TEFC	19.25	14.75	35.62	10.00	8.00	12.25	.81	20.88	21.75	2.875	3	18.75	14.75	6.62	6.12	7.25	.75x.75x5.62
405T	TEFC	19.25	16.25	37.12	10.00	8.00	13.75	.81	20.88	21.75	2.875	3	19.75	16.25	6.62	6.88	7.25	.75x.75x5.62
444T	TEFC	21.50	17.75	41.19	11.00	9.00	14.50	.81	24.19	26.31	3.375	3	20.94	17.38	7.50	7.25	8.50	.88x.88x6.88
445T	TEFC	21.50	19.75	43.19	11.00	9.00	16.50	.81	24.19	26.31	3.375	3	20.94	17.38	7.50	8.25	8.50	.88x.88x6.88
447T	TEFC	21.50	28.25	51.69	11.00	9.00	20.00	.81	24.22	26.31	3.375	4	25.90	19.31	7.50	1.78	8.50	.88x.88x6.88
449T	TEFC	21.50	28.25	51.69	11.00	9.00	25.00	.81	24.22	26.31	3.375	4	25.90	19.31	7.50	1.78	8.50	.88x.88x6.88

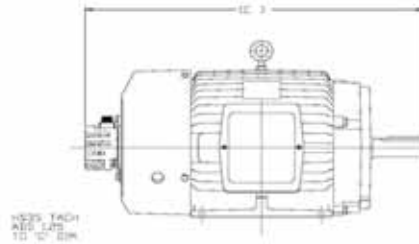
**APPROVAL for CONSTRUCTION**

Type \_\_\_\_\_ Frame \_\_\_\_\_ Part No. \_\_\_\_\_ Spec. \_\_\_\_\_  
 HP \_\_\_\_\_ RPM \_\_\_\_\_ Volts \_\_\_\_\_ Phase \_\_\_\_\_  
 Certified for: \_\_\_\_\_  
 Customer Order No. \_\_\_\_\_  
 Yaskawa Order No. \_\_\_\_\_ By \_\_\_\_\_ Date \_\_\_\_\_

# Dimensions BlueMAX® TEFC w/ Encoder Provisions



STANDARD DUTY SHOWN



FRAME	D	E	ZF	H	Ø	P	U	AA	AB	AC	BA	BS	N-W	KEY
1841	4.31	3.73	3.56	41	10.27	9.76	117	129	808	6.47	3.56	2.75	2.75	29x29x1.75
2131	5.25	4.25	3.56	44	13.00	11.50	138	129	9.43	7.69	4.25	2.75	3.38	31x31x2.38
2133	5.25	4.25	3.56	44	13.00	11.50	138	129	9.43	7.69	4.25	3.38	3.38	31x31x2.38
2541	6.25	5.00	4.25	53	14.87	14.27	167	165	11.13	9.37	4.25	4.12	4.00	38x38x2.88
2543	6.25	5.00	4.25	53	14.87	14.27	167	165	11.13	9.37	4.25	3.98	4.00	38x38x2.88
2841	7.25	5.56	4.56	53	18.25	15.88	188	190	13.18	9.28	4.75	4.75	4.62	50x50x3.25
2843	7.25	5.56	4.56	53	18.25	15.88	182	190	13.18	9.28	4.75	4.75	3.25	39x39x1.88
2847	7.25	5.56	4.56	53	18.25	15.88	188	190	13.18	9.28	4.75	5.50	4.62	50x50x3.75
2847S	7.25	5.56	4.56	53	18.25	15.88	182	190	13.18	9.28	4.75	5.50	3.25	39x39x1.88
3241S	8.00	6.25	5.00	66	20.25	19.25	188	200	14.81	10.69	5.25	5.25	3.75	50x50x2.00
3243	8.00	6.25	5.00	66	20.25	19.25	212	200	14.81	10.69	5.25	5.25	5.25	50x50x3.88
3247S	8.00	6.25	5.00	66	20.25	19.25	188	200	14.81	10.69	5.25	6.00	3.75	50x50x2.00
3247	8.00	6.25	5.00	66	20.25	19.25	212	200	14.81	10.69	5.25	6.00	5.25	50x50x3.88
3641S	9.00	7.00	5.25	66	22.57	20.25	188	200	17.85	14.56	5.88	5.62	3.75	50x50x2.00
3643	9.00	7.00	5.25	66	22.57	20.25	238	200	17.85	14.56	5.88	6.12	5.88	62x62x4.25
3647S	9.00	7.00	5.25	66	22.57	20.25	188	200	17.85	14.56	5.88	6.12	3.75	50x50x2.00
4041	10.00	8.00	6.25	81	23.87	21.75	208	202	18.75	14.75	6.62	6.12	7.25	75x75x5.62
4341S	10.00	8.00	6.25	81	23.87	21.75	232	202	18.75	14.75	6.62	6.12	4.25	50x50x2.75
4343	10.00	8.00	6.25	81	23.87	21.75	288	202	18.75	14.75	6.62	6.88	7.25	75x75x6.62
4347S	10.00	8.00	6.25	81	23.87	21.75	232	202	18.75	14.75	6.62	6.88	4.25	50x50x2.75
4447	11.00	9.00	7.50	81	26.38	24.31	338	202	20.94	17.38	7.50	7.25	8.38	88x88x6.88
4447S	11.00	9.00	7.50	81	26.38	24.31	338	202	20.94	17.38	7.50	7.25	4.75	62x62x3.00
4457	11.00	9.00	7.50	81	26.38	24.31	338	202	20.94	17.38	7.50	8.25	8.38	88x88x6.88
4457S	11.00	9.00	7.50	81	26.38	24.31	238	202	20.94	17.38	7.50	8.25	4.75	62x62x3.00
4497	11.00	9.00	7.50	81	24.22	22.31	338	442	25.99	21.20	7.50	1.78	8.38	88x88x5.88
4497S	11.00	9.00	7.50	81	24.22	22.31	238	442	25.99	21.20	7.50	1.78	4.75	62x62x3.00

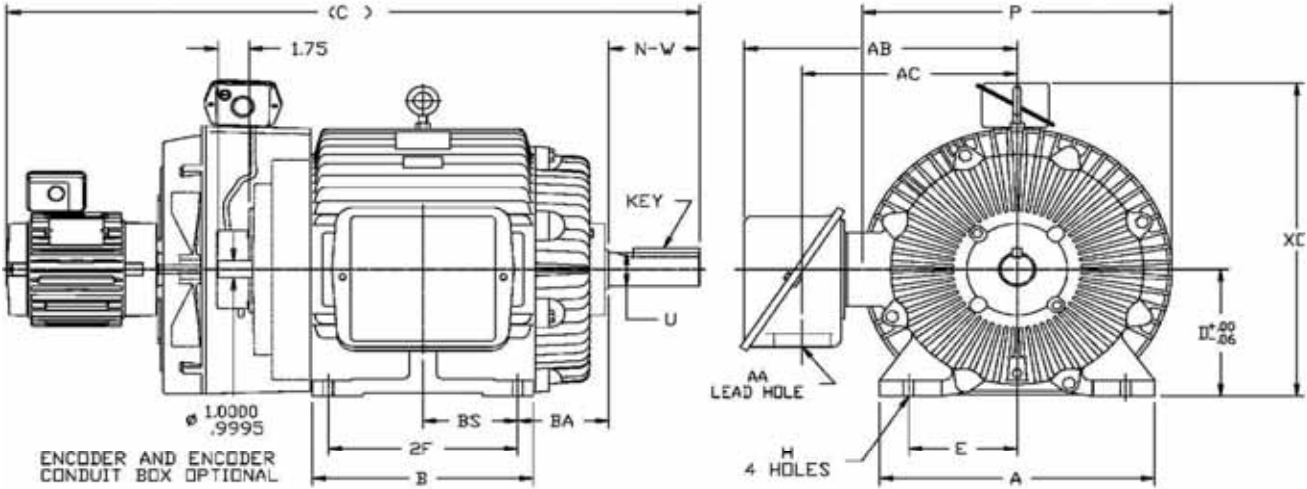
BLUMTEFC.GEN

**APPROVAL for CONSTRUCTION**

Type \_\_\_\_\_ Frame \_\_\_\_\_ Part No. \_\_\_\_\_ Spec. \_\_\_\_\_  
 HP \_\_\_\_\_ RPM \_\_\_\_\_ Volts \_\_\_\_\_ Phase \_\_\_\_\_  
 Certified for: \_\_\_\_\_  
 Customer Order No. \_\_\_\_\_  
 Yaskawa Order No. \_\_\_\_\_ By \_\_\_\_\_ Date \_\_\_\_\_



**Dimensions**  
**BlueMAX® TEBC**



ENCODER AND ENCODER CONDUIT BOX OPTIONAL

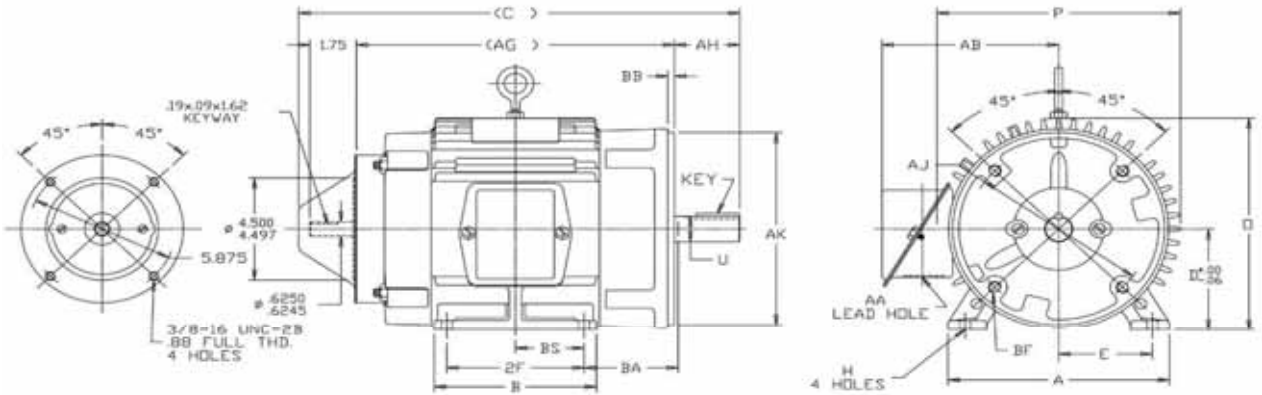
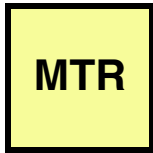
**STANDARD DUTY SHOWN**

FRAME	D	E	2F	H	XD ØMAX	P ØMAX	U	AA	AB ØMAX	AC ØMAX	BA	BS	N-W	KEY
213T	5.25	4.25	5.50	.44	13.35	11.50	1.38	1.09	9.45	7.69	3.50	2.75	3.38	.31x.31x2.38
215T	5.25	4.25	7.00	.44	13.35	11.50	1.38	1.09	9.45	7.69	3.50	3.58	3.38	.31x.31x2.38
254T	6.25	5.00	8.25	.53	16.31	14.27	1.62	1.25	11.13	9.32	4.25	4.12	4.00	.38x.38x2.88
256T	6.25	5.00	10.00	.53	16.31	14.27	1.62	1.25	11.13	9.32	4.25	5.00	4.00	.38x.38x2.88
284T	7.00	5.50	9.50	.53	17.88	15.88	1.88	1.50	13.18	9.31	4.75	4.75	4.62	.50x.50x3.25
284TS	7.00	5.50	9.50	.53	17.88	15.88	1.62	1.50	13.18	9.31	4.75	4.75	3.25	.38x.38x1.88
286T	7.00	5.50	11.00	.53	17.88	15.88	1.88	1.50	13.18	9.31	4.75	5.58	4.62	.50x.50x3.25
286TS	7.00	5.50	11.00	.53	17.88	15.88	1.62	1.50	13.18	9.31	4.75	5.58	3.25	.38x.38x1.88
324T	8.00	6.25	10.50	.66	20.25	18.25	2.12	2.00	14.81	10.69	5.25	5.25	5.25	.50x.50x3.88
324TS	8.00	6.25	10.50	.66	20.25	18.25	1.88	2.00	14.81	10.69	5.25	5.25	3.75	.50x.50x2.00
326T	8.00	6.25	12.00	.66	20.25	18.25	2.12	2.00	14.81	10.69	5.25	6.00	5.25	.50x.50x3.88
326TS	8.00	6.25	12.00	.66	20.25	18.25	1.88	2.00	14.81	10.69	5.25	6.00	3.75	.50x.50x2.00
364T	9.00	7.00	11.25	.66	22.62	20.00	2.38	3.62	17.85	14.56	5.88	5.62	5.88	.62x.62x4.25
364TS	9.00	7.00	11.25	.66	22.62	20.00	1.88	3.62	17.85	14.56	5.88	5.62	3.75	.50x.50x2.00
365T	9.00	7.00	12.25	.66	22.62	20.00	2.38	3.62	17.85	14.56	5.88	6.12	5.88	.62x.62x4.25
365TS	9.00	7.00	12.25	.66	22.62	20.00	1.88	3.62	17.85	14.56	5.88	6.12	3.75	.50x.50x2.00
404T	10.00	8.00	12.25	.81	24.06	21.75	2.88	3.62	18.75	14.75	6.62	6.12	7.25	.75x.75x5.62
404TS	10.00	8.00	12.25	.81	24.06	21.75	2.12	3.62	18.75	14.75	6.62	6.12	4.25	.50x.50x2.75
405T	10.00	8.00	13.75	.81	24.06	21.75	2.88	3.62	18.75	16.25	6.62	6.88	7.25	.75x.75x5.62
405TS	10.00	8.00	13.75	.81	24.06	21.75	2.12	3.62	18.75	16.25	6.62	6.88	4.25	.50x.50x2.75
444T	11.00	9.00	14.50	.81	26.95	26.31	3.38	3.62	20.94	17.38	7.50	7.25	8.50	.88x.88x6.88
444TS	11.00	9.00	14.50	.81	26.95	26.31	2.38	3.62	20.94	17.38	7.50	7.25	4.75	.62x.62x3.00
445T	11.00	9.00	16.50	.81	26.95	26.31	3.38	3.62	20.94	17.38	7.50	8.25	8.50	.88x.88x6.88
445TS	11.00	9.00	16.50	.81	26.95	26.31	2.38	3.62	20.94	17.38	7.50	8.25	4.75	.62x.62x3.00
449T	11.00	9.00	25.00	.81	27.83	26.31	3.38	4.62	25.90	19.31	7.50	1.78	8.50	.88x.88x6.88
449TS	11.00	9.00	25.00	.81	27.83	26.31	2.38	4.62	25.90	19.31	7.50	1.78	4.75	.62x.62x3.00

BLUMTEBC.GEN

**APPROVAL for CONSTRUCTION**

Type \_\_\_\_\_ Frame \_\_\_\_\_ Part No. \_\_\_\_\_ Spec. \_\_\_\_\_  
 HP \_\_\_\_\_ RPM \_\_\_\_\_ Volts \_\_\_\_\_ Phase \_\_\_\_\_  
 Certified for: \_\_\_\_\_  
 Customer Order No. \_\_\_\_\_  
 Yaskawa Order No. \_\_\_\_\_ By \_\_\_\_\_ Date \_\_\_\_\_



STANDARD DUTY SHOWN

FRAME	A MAX.	B MAX.	C MAX.	D	E	2F	H	D MAX.	P MAX.	U	AA	AB MAX.	AG MAX.	AH	AJ	AK	BA	BB	BF	BS	KEY
143TC	7.12	5.00	13.68	3.50	2.75	4.00	.38	7.45	11.03	8.750	1.09	7.04	9.25	2.12	5.875	4.500	2.62	.13	3/8-16	2.81	.19x.19x1.38
145TC	7.12	6.00	14.68	3.50	2.75	5.00	.38	7.45	11.03	8.750	1.09	7.04	10.25	2.12	5.875	4.500	2.62	.13	3/8-16	3.81	.19x.19x1.38
182TC	8.88	5.50	16.12	4.50	3.75	4.50	.41	11.62	12.96	11.250	1.09	8.01	11.75	2.62	7.250	8.500	3.50	.27	1/2-13	2.25	.25x.25x1.75
184TC	8.88	6.50	17.12	4.50	3.75	5.50	.41	11.62	12.96	11.250	1.09	8.01	12.75	2.62	7.250	8.500	3.50	.27	1/2-13	2.75	.25x.25x1.75
213TC	10.38	8.50	20.56	5.25	4.25	5.50	.44	13.32	15.01	13.750	1.09	9.31	15.12	3.12	7.250	8.500	4.25	.27	1/2-13	3.50	.31x.31x2.38
215TC	10.38	11.50	22.74	5.25	4.25	7.00	.44	13.91	15.19	13.750	1.09	9.04	17.31	3.12	7.250	8.500	4.25	.27	1/2-13	6.18	.31x.31x2.38
254TC	12.12	12.00	25.12	6.25	5.00	8.25	.53	15.66	15.98	16.25	1.25	9.83	19.06	3.75	7.250	8.500	4.75	.27	1/2-13	6.31	.38x.38x2.88
256TC	12.18	12.00	25.12	6.25	5.00	10.00	.53	14.07	15.98	16.25	1.25	11.08	19.06	3.75	7.250	8.500	4.75	.27	1/2-13	5.00	.38x.38x2.88

BLUMTENV.GEN

**APPROVAL for CONSTRUCTION**

Type \_\_\_\_\_ Frame \_\_\_\_\_ Part No. \_\_\_\_\_ Spec. \_\_\_\_\_  
 HP \_\_\_\_\_ RPM \_\_\_\_\_ Volts \_\_\_\_\_ Phase \_\_\_\_\_  
 Certified for: \_\_\_\_\_  
 Customer Order No. \_\_\_\_\_  
 Yaskawa Order No. \_\_\_\_\_ By \_\_\_\_\_ Date \_\_\_\_\_