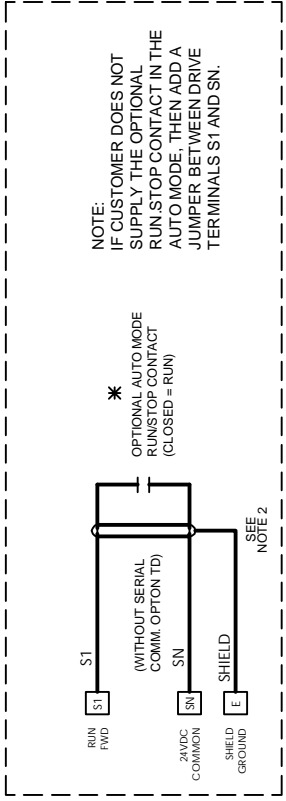
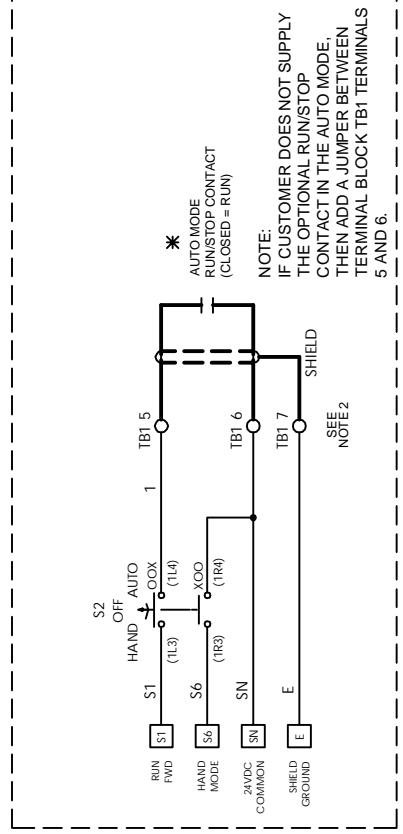


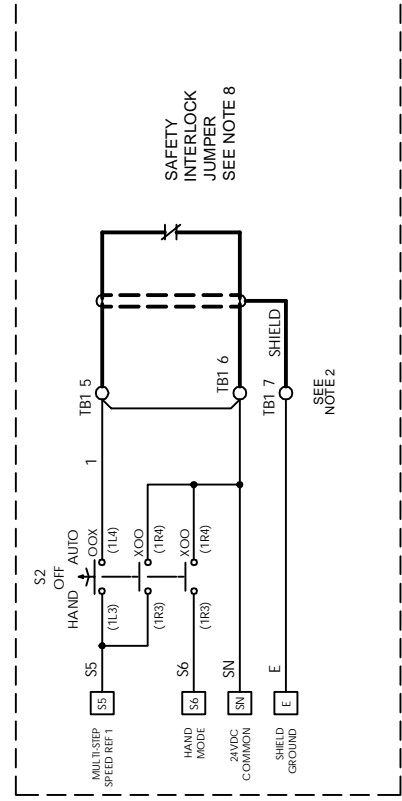
RUN/STOP CONTROL (FROM SHEET 1)



OR



OR



CONTACT SEQUENCE CHART FOR S2
X - INDICATES CONTACT CLOSED

CONTACT	POSITION		MANUF. LOCATION	TYPE
	HAND	AUTO		
1	X		1RO	
2		X	1LO	

SCHEMATIC SHOWS THIS POSITION.

OPTION TY, AND WITH OPTION TD SERIAL COMMUNICATION

CONTACT SEQUENCE CHART FOR S2
X - INDICATES CONTACT CLOSED

CONTACT	POSITION		MANUF. LOCATION	TYPE
	HAND	AUTO		
1	X		1RO	
2		X	1LO	
3	X		2RO	

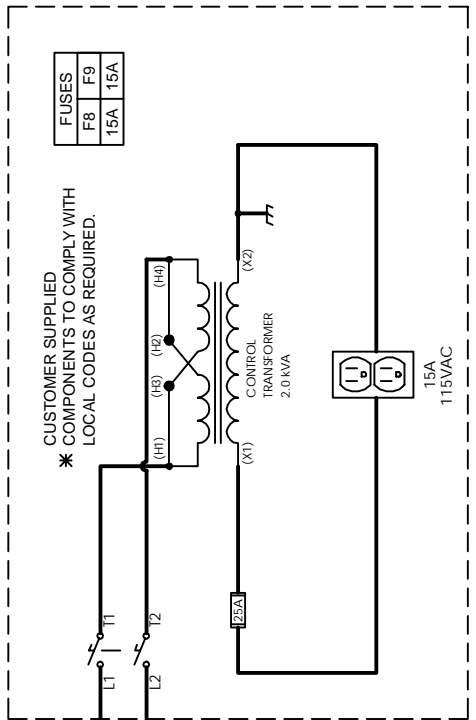
SCHEMATIC SHOWS THIS POSITION.

OPTION TY, AND WITH OPTION TD SERIAL COMMUNICATION

FUSES

F8	F9
15A	15A

CUSTOMER SUPPLIED COMPONENTS TO COMPLY WITH LOCAL CODES AS REQUIRED.



OPTION SF FUSE BLOCK FOR EXTERNAL 115V SUPPLY

SEE SHEET 1 FOR NOTES.

YASKAWA

THIS DOCUMENT AND INFORMATION CONTAINED IN IT ARE CONFIDENTIAL AND CANNOT BE COPIED OR DISCLOSED IN WHOLE OR IN PART WITHOUT THE EXPRESS WRITTEN CONSENT OF YASKAWA AMERICA, INC.

DESIGNED BY	A. MEILAHN	DATE	01/05/17	REV.	SCHEMATIC DIAGRAM
DESIGNED BY	N. LAWS	DATE	02/10/17	REV.	SCHEMATIC DIAGRAM
DESIGNED BY	K. FLIERL	DATE	02/15/17	REV.	SCHEMATIC DIAGRAM
DESIGNED BY	A. MEILAHN	DATE	01/05/17	REV.	SCHEMATIC DIAGRAM

TYPE 3R, 240V

SIZE D

REV/ISSN 01

PAGE 2 of 2

DRAWING # DS.Q1E3.11